

INSTALLATION INSTRUCTIONS

EMINENCE™
CERAMIC VALVE
TWIN HANDLE
BATH FAUCET

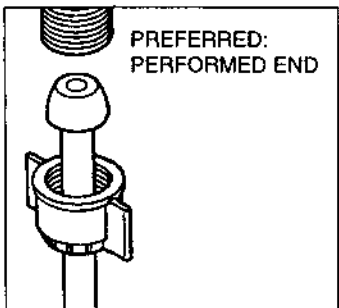
With or Without Pop-Up

Before **1** begin

Use this diagram to familiarize yourself with the various parts of the faucet assembly. Make sure you have all the illustrated parts before you begin installation.

If you are putting in a new sink, it is easier to mount the faucet, drain and any other accessories *before* installing the sink into the countertop.

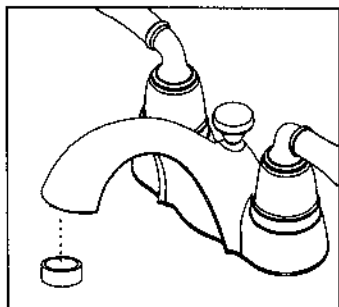
- Observe all local plumbing codes.
- Carefully inspect the valve parts for any damage
- Flush all piping thoroughly before installing.
- Shut off hot and cold water supplies.
- Do not use plumber's putty or thread sealants on mounting nuts or coupling nuts.



PREFERRED:
PERFORMED END

1. Connect water supply tubes to hot and cold faucet shanks with coupling nuts supplied. FINGER tighten.

NOTE: Do not use supply tubes with metal formed ends and non-metallic shanks.



2. Turn on water supplies and check for leaks. With faucet off remove aerator. Turn on hot and cold water to flush lines and faucet. Turn off faucet and replace aerator.

Sterling Plumbing Group, Inc. ("Sterling") warrants this faucet to be free of manufacturing defects and to be drip free for as long as you own your home. Damage due to improper installation, maintenance or handling are not considered manufacturing defects and are not covered by this warranty. Labor, shipping and installation costs or other charges incidental to warranty service are to be borne by the original purchaser. This warranty is valid for the original purchaser only.

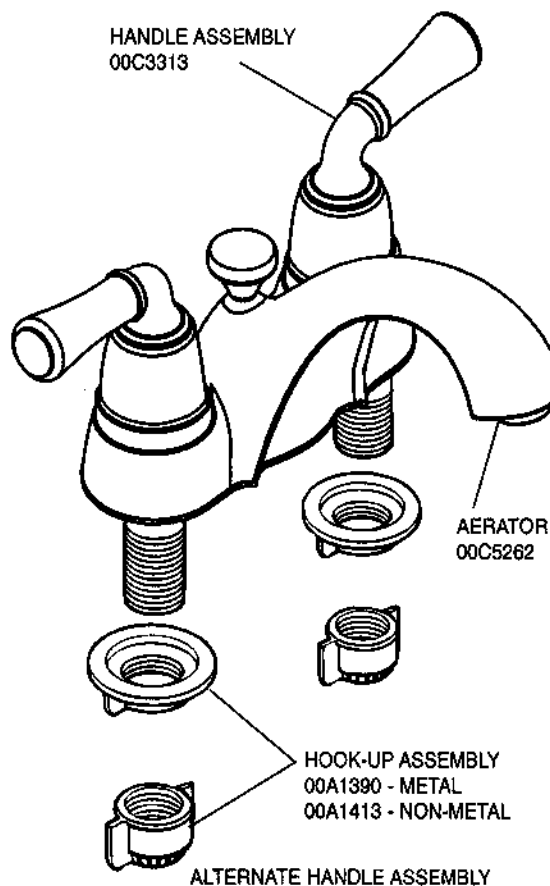
Sterling will, at its election, repair or replace a faucet where Sterling's inspection discloses any such defects occurring in normal residential usage.

To obtain warranty service, return the defective part(s) to your cooperating retail seller or send them to our Customer Service Department, P.O. Box 427, Sheridan, AR 72150. Refer any questions to our Customer Service Department at 1-800-245-2207.

IMPLIED WARRANTIES INCLUDING THAT OF MERCHANTABILITY AND FITNESS FOR A PARTICULAR PURPOSE ARE EXPRESSLY LIMITED TO ONE YEAR FROM DATE OF PURCHASE. STERLING DISCLAIMS ANY RESPONSIBILITY FOR SPECIAL, INCIDENTAL OR CONSEQUENTIAL DAMAGES. Some states do not allow limitation on how long an implied warranty lasts, or the exclusion or limitation of special, incidental or consequential damages, so these limitations or exclusions may not apply to you. This warranty gives you special legal rights. You may also have other rights which vary from state to state.

This is our exclusive written warranty.

For more information on Sterling Faucets, please call 1-800-STERLING.



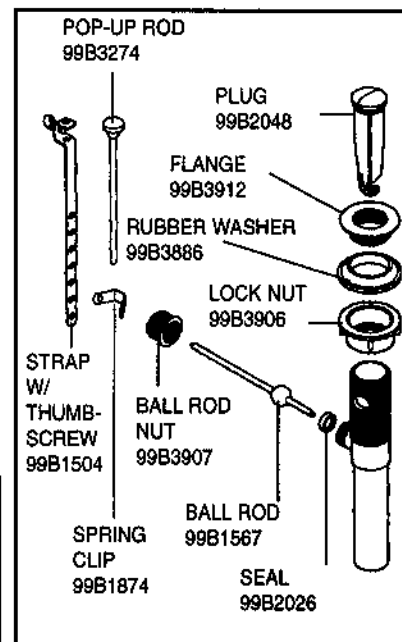
HANDLE ASSEMBLY
00C3313

AERATOR
00C5262

HOOK-UP ASSEMBLY
00A1390 - METAL
00A1413 - NON-METAL

ALTERNATE HANDLE ASSEMBLY

CROSS HANDLE
ASSEMBLY
00C5267



POP-UP ROD
99B3274

PLUG
99B2048

FLANGE
99B3912

RUBBER WASHER
99B3886

LOCK NUT
99B3906

STRAP
W/
THUMB-
SCREW
99B1504

BALL ROD
NUT
99B3907

SPRING
CLIP
99B1874

BALL ROD
99B1567

SEAL
99B2026

2 Items you need

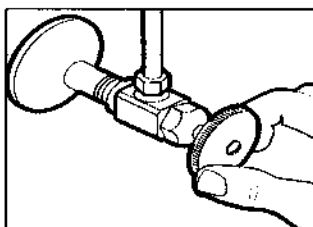
3 Remove old faucet

4 Install faucet

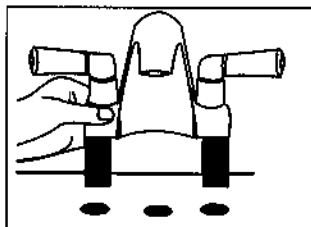
5 Install Pop-Up

5 Install Pop-Up

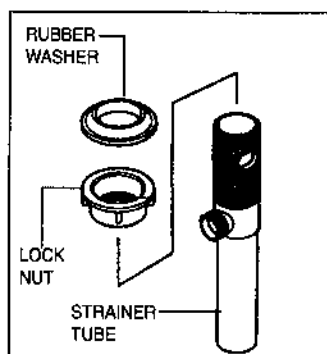
5 Install Pop-Up



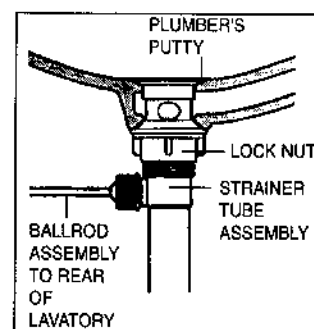
1. Turn off both water supplies at valves.



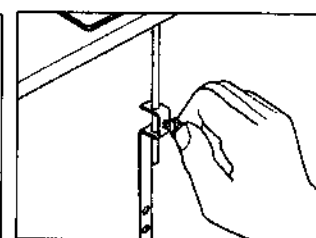
1. Place ring of putty around base edge of faucet. Loosely place washers, spacers, and nuts on threaded bolts. With washers angled, insert shanks and bolts down through holes in lavatory.



1. Thread locknut, flat side up, onto body. Slide rubber washer, beveled side up, onto body. Thread tailpiece into body.

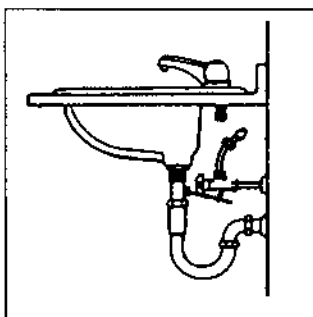


4. Drain flange should rest flush with lavatory basin. Tighten locknut securely against underside of lavatory. Ball rod assembly must point to rear of lavatory.

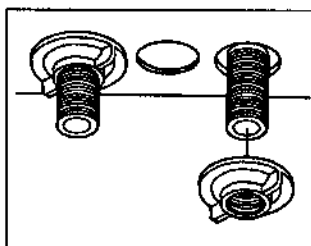


6. Insert pop-up rod down through hole in back of faucet. With ball rod in down position, attach strap to lift rod by securely FINGER tightening thumb screw.

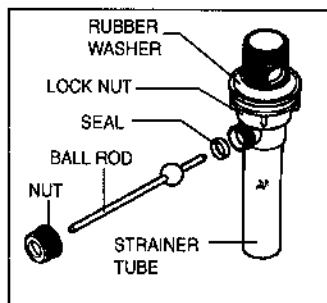
1. Adjustable wrench, Phillips screwdriver, flathead screwdriver, plumber's putty, and Teflon tape.



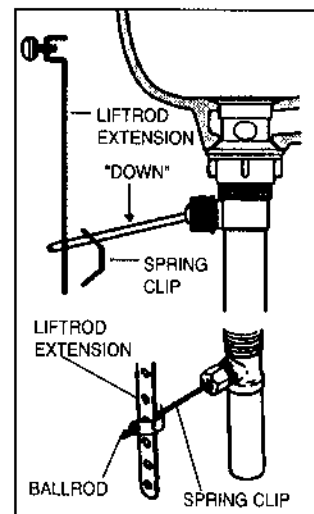
2. Disconnect supply lines.



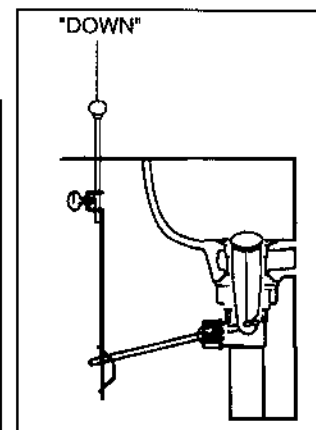
2. From underside of lavatory, tighten mounting nuts until spacers and washers are flush with deck bottom. Hand tighten securely. **DO NOT OVERTIGHTEN.** NOTE: If deck is thick, spacers may be eliminated.



2. Place seal, beveled edge out, into side opening of strainer tube. Insert ball rod into strainer tube. Hand tighten ball rod nut.



5. Place one end of spring clip over ball rod and slide back 1/2" to 1". Place ball rod through hole in strap that is appropriate for lavatory depth. Compress spring clip and slide ball rod through other spring clip hole to secure.



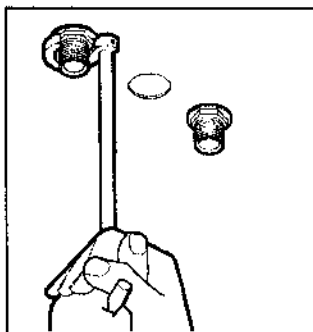
7. While pushing down on pop-up rod, insert plug into drain and turn 1/4 turn to engage stopper to ball lever rod.

OPTIONAL MATERIALS:

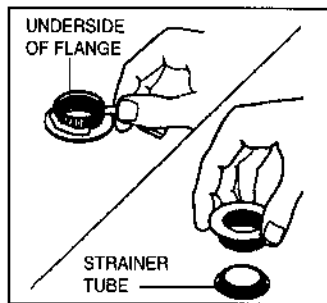
- Supply stops (2)
Some installations may require supply stops be installed.
- Supply tubing (2) and fittings will need to be provided.

NOTE: Do not use supply tubes with metal formed ends and non-metallic shanks.

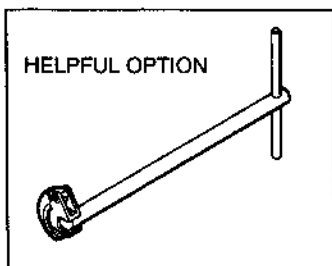
2. You may need the above materials.



3. Remove mounting nuts; lift off faucet.



3. Place ring of putty around underside of drain flange. Insert strainer tube assembly up through hole of lavatory and screw flange onto top of strainer tube.



3. Basin wrench for removing old faucet.