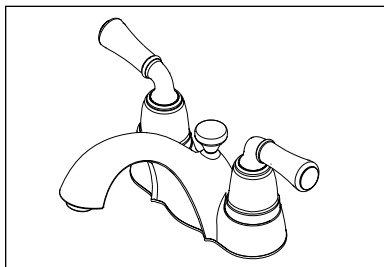
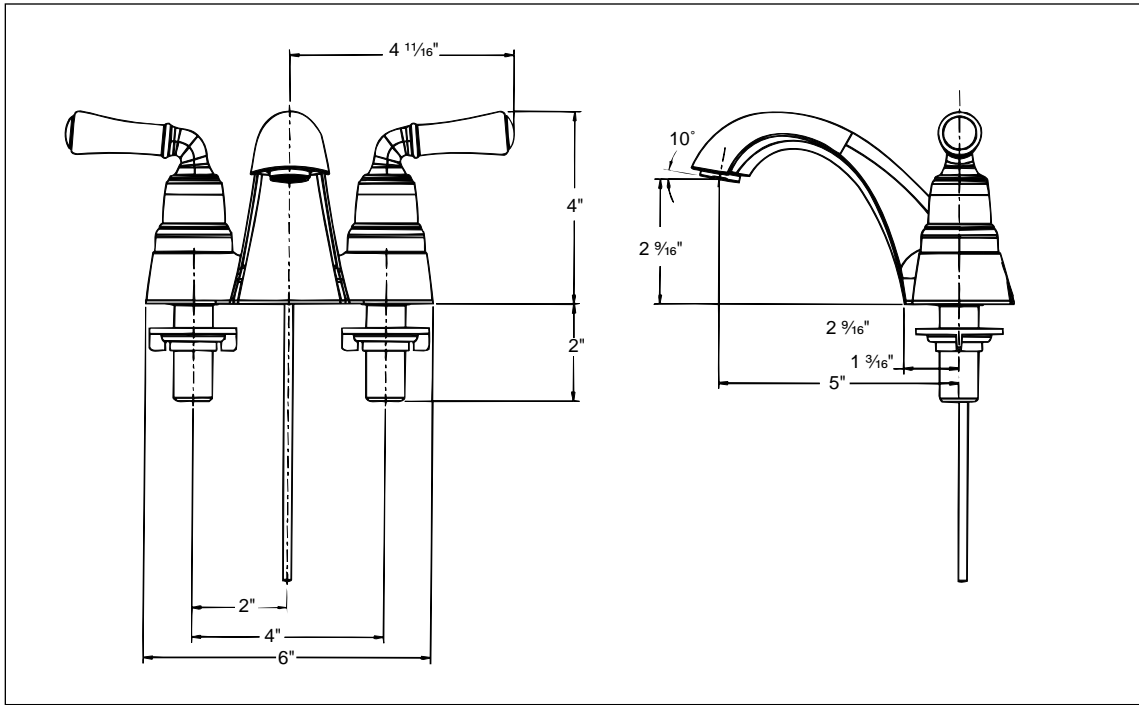




Bath Classics™
Eminence™

STRONG. PROFESSIONAL. DESIGN.™
SPECIFICATIONS

Twin Handle Lavatory Faucets
Models C683P, C683GP, C684P,
C684GP, C689P, C689GP, C689CGP



PRODUCT OVERVIEW

Twin Handle Lavatory
Lever handles
Compatible with 3 sink holes
(Minimum 1-1/8" dia. In-line, 4" centers)

C683P — Chrome plated, brass pop-up, acrylic lever handles, single pak

C683GP — Endurable™ PB finish, brass pop-up, acrylic lever handles, single pak

C684P — Chrome plated, brass pop-up, porcelain lever handles, single pak

C684GP — Endurable™ PB finish, brass pop-up, porcelain lever handles, single pak

C689P — Chrome plated, brass pop-up, chrome lever handles, single pak

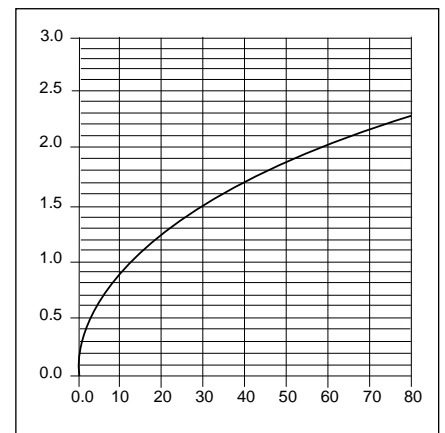
C689GP — Endurable™ PB finish, brass pop-up, brass lever handles, single pak

C689CGP — Chrome/Endurable™ PB finish accents, brass pop-up, lever handles, single pak

FEATURES

- **Input**
Min. - Max. / 20 - 80 psi
Max. Allowable / 125 psi
- **Flow Rate**
2.0 gpm at 60 psi
- **Connectors**
1/2" IPS
- **Valve Type**
Brass stem, ceramic washerless cartridge
- **Standards and Ratings**
Meets or exceeds the requirements of the following standards: ASME A112.18.1M; ADA "Americans with Disabilities Act"
- **Pop up**
Brass
- **Warranty**
Limited Lifetime

FLOWRATE (gpm)



LINE PRESSURE P.S.I. GAUGE