

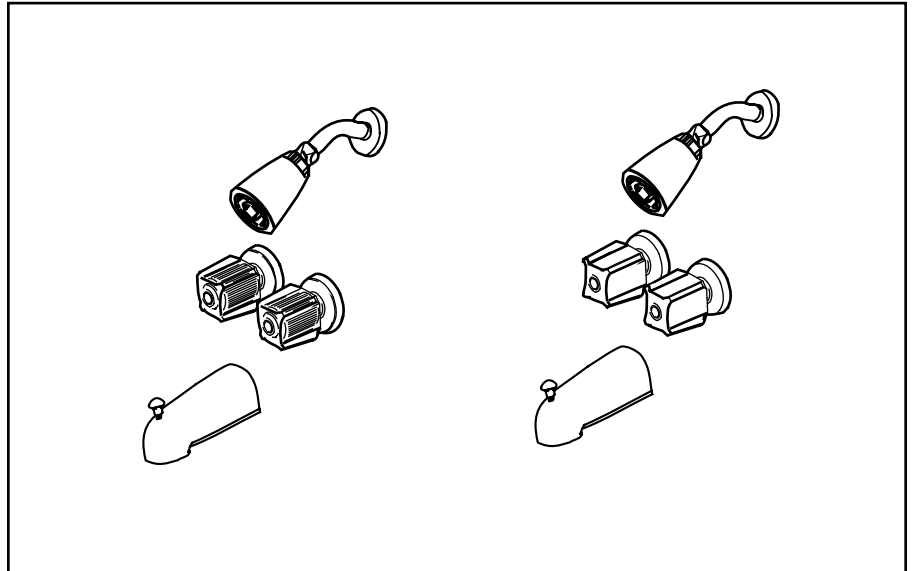


STRONG. PROFESSIONAL. DESIGN.™
S P E C I F I C A T I O N S

Bath Classics™
Two Valve Compression Tub/Shower Faucet
Models 11221PQ, 11221, 11223PQ, 11921P,
12221PQ, 12221, 12223PQ, 12921P,
13221PQ, 13221, 13223PQ, 13921P

Standard Features

- Maximum operating input water pressure80 psi
- Maximum pressure125 psi
- Shower flow rate2.5 gpm at 80 psi
(see chart)
- Tub Filler flow rate ..12 gpm at 60 psi
- Maximum handle torque at 80 psi1.25 ft lbs
- Shower and tub spout output connectors1/2" IPS
- Valve TypeCompression valving



Standards and Ratings

- ASME A112.18.1M American Society of Mechanical Engineers Standard: "Plumbing Fixtures Fittings"

Optional Features

- Acrylic Handles
- Blade Handles
- 1/2" IPS
- Copper Connections
- Tub & Shower
- Shower Only
- Tub Filler

Features

Compression valving

Chrome plated

Handle options

Benefits

Ideal for hard water areas. Easy and inexpensive to maintain

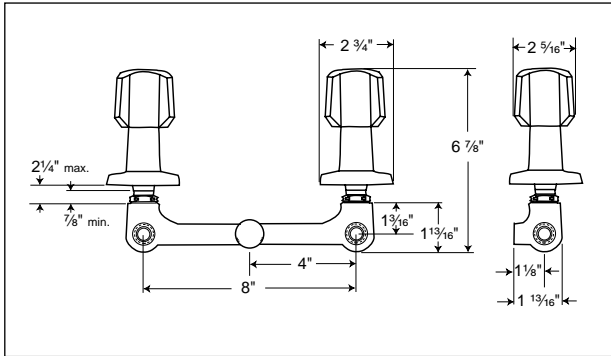
Durable and easy to clean

Decorating flexibility to complement bath decor

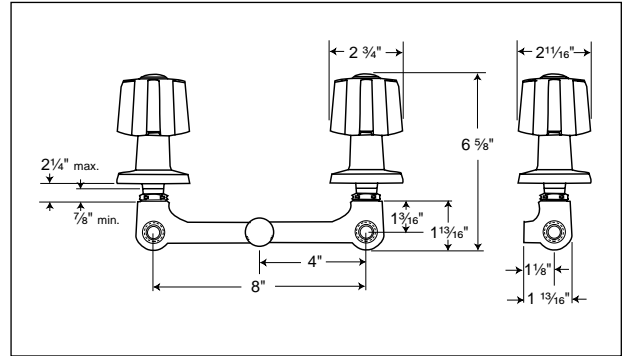
Bath Classics™ Two Valve Compression Tub/Shower Faucet

Models 11221PQ, 11221, 11223PQ, 11921P,
12221PQ, 12221, 12223PQ, 12921P,
13221PQ, 13221, 13223PQ, 13921P

D I M E N S I O N S

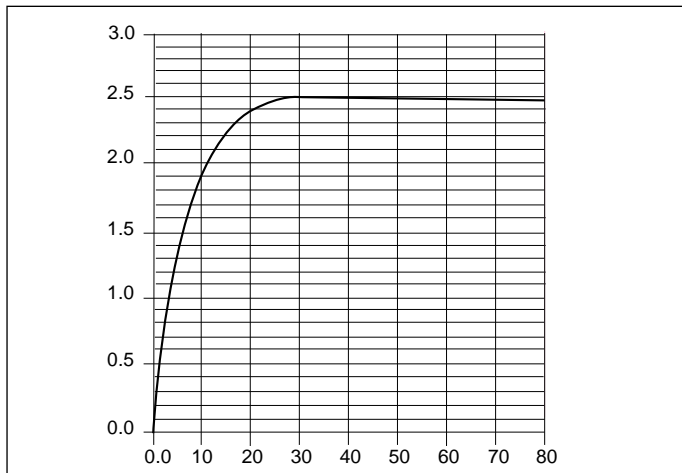


**Twin Handle Compression Tub/Shower
with Acrylic Handles**



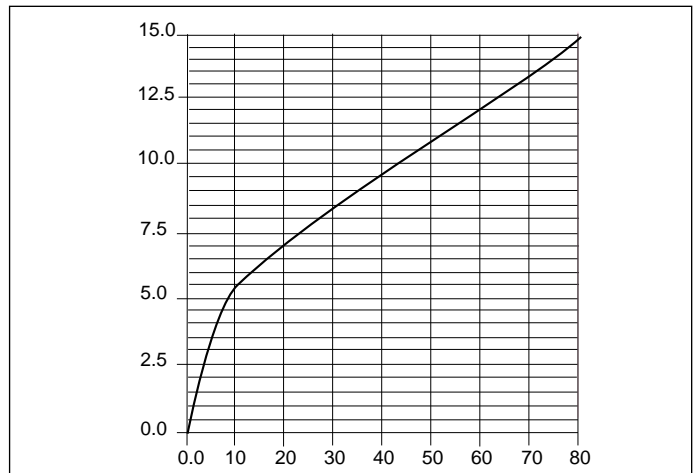
**Twin Handle Compression Tub/Shower
with Blade Handles**

SHOWER FLOWRATE (gpm)



**LINE PRESSURE
P.S.I. GAUGE**

TUB FILLER FLOWRATE (gpm)



**LINE PRESSURE
P.S.I. GAUGE**



STRONG. PROFESSIONAL. DESIGN.™