



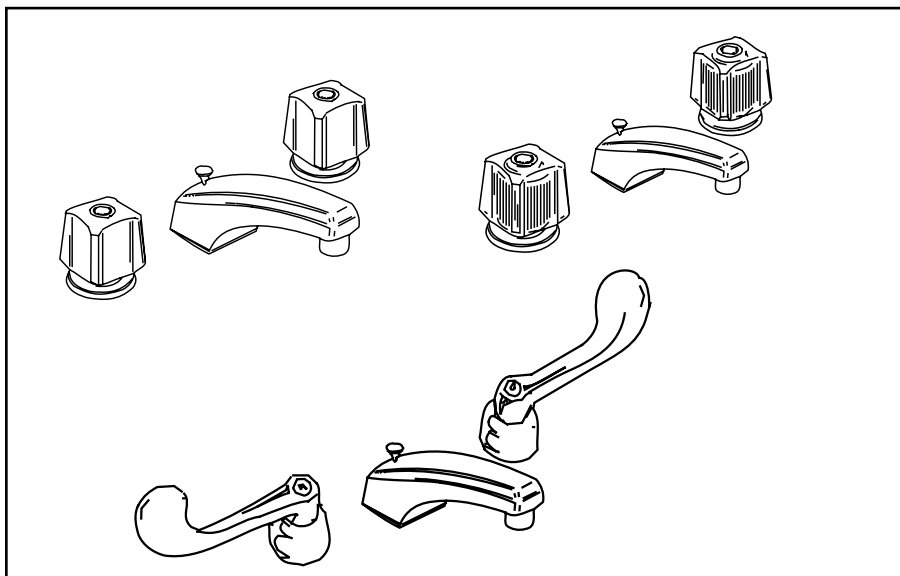
STRONG. PROFESSIONAL. DESIGN.™
SPECIFICATIONS

Bath Classics™ Twin Handle Compression Widespread Lavatory Faucet

Models 20114PQ, 20114, 20170PQ,
20170, 20814, 20870P, 20214, 20270

Standard Features

- Maximum operating input water pressure80 psi
- Maximum pressure125 psi
- Maximum flow rate ..2.0 gpm at 80 psi (see chart)
- Supply connectors1/2" IPS
- Valve TypeCompression valving
- Installation requirements3 sink holes
Minimum 1 1/8" Dia. In-line
Min. 8"/Max. 12" centers
- Spout ConstructionFabricated



Standards and Ratings

- ASME A112.18.1M American Society of Mechanical Engineers Standard: "Plumbing Fixtures Fittings"
- ANSI 117.1 American National Standards Institute: "American National Standards Specifications for making buildings and facilities accessible to and usable by physically handicapped people."
(Wristblade Handles Only)
- ADA "Americans with Disabilities Act" - Non-discrimination on basis of disability by Public Accommodations and in Commercial facilities; Final Rule dated 7/26/91 28 CFR Part 36
(Wristblade Handles Only)

Optional Features

- Acrylic Handles
- Blade Handles
- Wristblade Handles

Features

Chrome plated

Choice of handles

Compression valving

Benefits

Durable and easy to clean

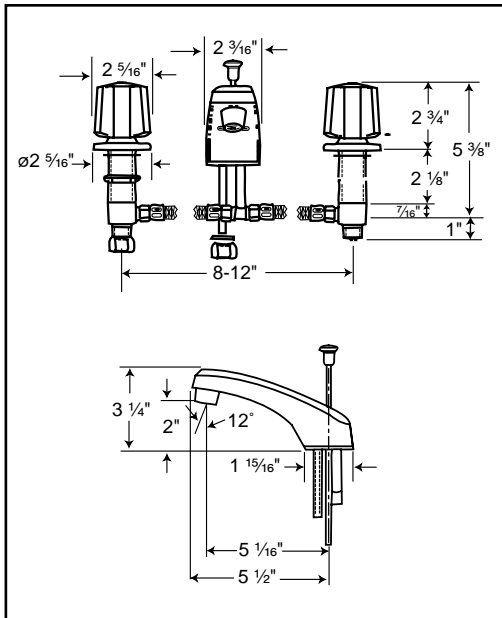
Easy operation and unique style coordinates with traditional or contemporary decor

Ideal for hard water areas. Easy and inexpensive to maintain

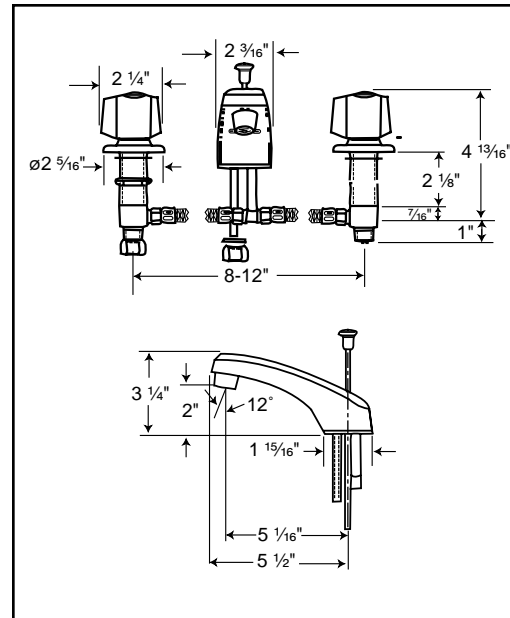
Bath Classics™
Twin Handle Compression
Widespread Lavatory Faucet

D I M E N S I O N S

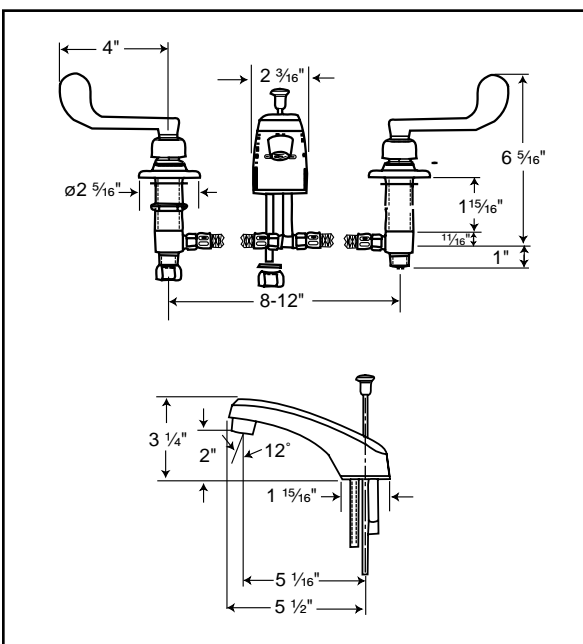
Models 20114PQ, 20114, 20170PQ, 20170,
 20814, 20870P, 20214, 20270



Widespread Lav Faucet with Blade Handles

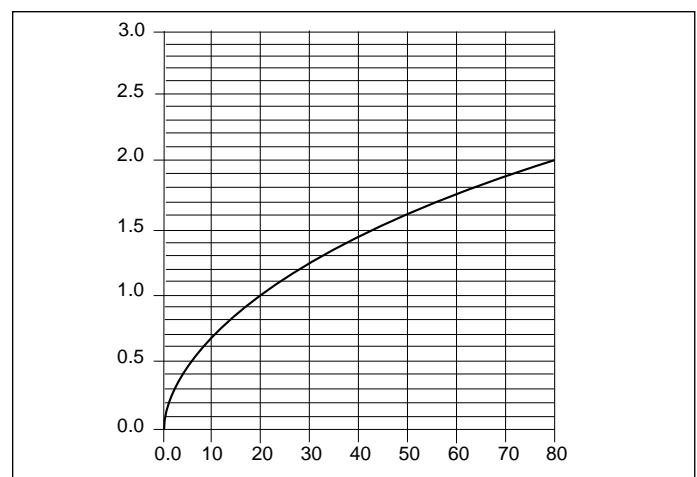


Widespread Lav Faucet with Acrylic Handles



Widespread Lav Faucet with Wristblade Handles

FLOWRATE (gpm)



LINE PRESSURE
P.S.I. GAUGE



STRONG. PROFESSIONAL. DESIGN.™

© 2001 Sterling Plumbing, 444 Highland Drive, Kohler, WI 53044 1-888-STERLING

www.sterlingplumbing.com

Fixture dimensions are nominal and conform to tolerances established by ANSI Standards, Z124.1.

★ Made in U.S.A.

Printed in U.S.A.