



STRONG. PROFESSIONAL. DESIGN.™

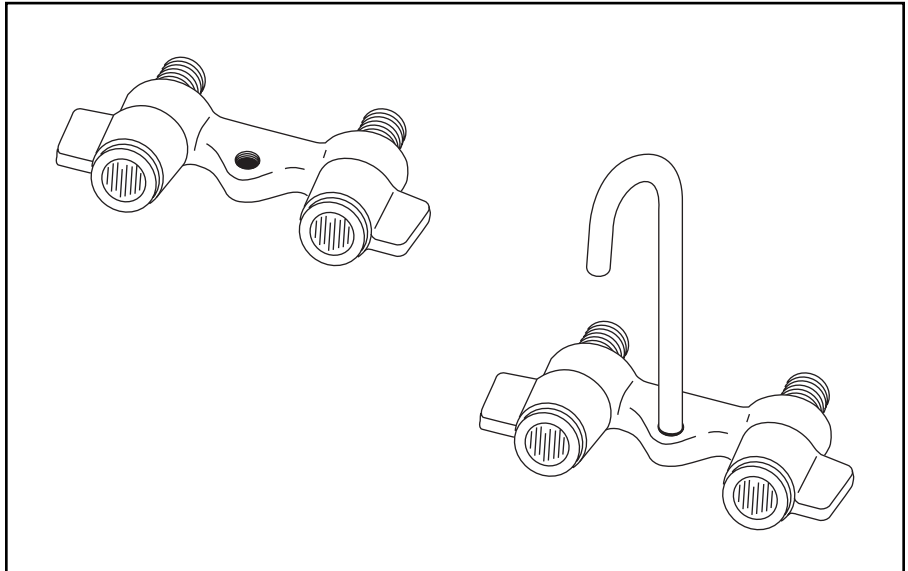
S P E C I F I C A T I O N S

**Bath Classics™
Twin Handle Compression
Bath Leg Faucet**

Models 19050, 19060, 19310

Standard Features

- Maximum operating input
water pressure80 psi
- Maximum pressure125 psi
- Maximum flow rate....2.5 gpm at 60 psi
(see chart)
- Supply Connectors1/2" IPS
- Valve TypeCompression valving
- Installation
Requirements3 3/8 centers
- Handleslever
- Finish.....chrome



Standards and Ratings

- ASME A112.18.1M American Society
of Mechanical Engineers Standard:
"Plumbing Fixtures Fittings"

Optional Features

- With Spout
- Without Spout

Features

Chrome plated

Compression valving

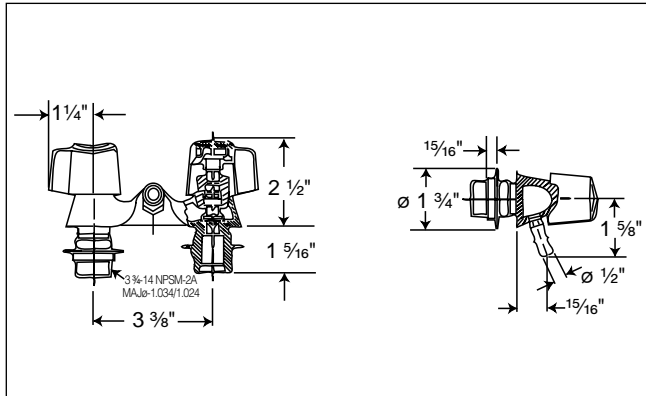
Benefits

Durable and easy to clean

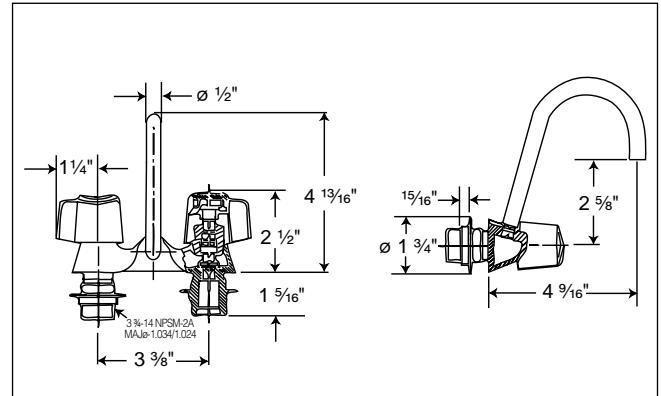
Proven drip-free performance. Ideal for hard water areas. Easy and inexpensive to repair.

Bath Classics™
Twin Handle Compression
Bath Leg Faucet
 Models 19050, 19060, 19310

D I M E N S I O N S

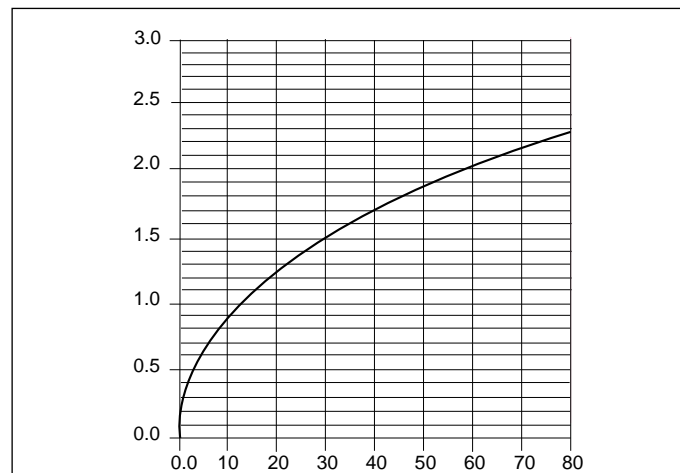


Twin Handle Bath Leg Faucet



Twin Handle Bath Leg Faucet

FLOWRATE (gpm)



**LINE PRESSURE
 P.S.I. GAUGE**



STRONG. PROFESSIONAL. DESIGN.™