



STRONG. PROFESSIONAL. DESIGN.™  
SPECIFICATIONS

# Bath Classics™ Twin Handle Lavatory Faucet

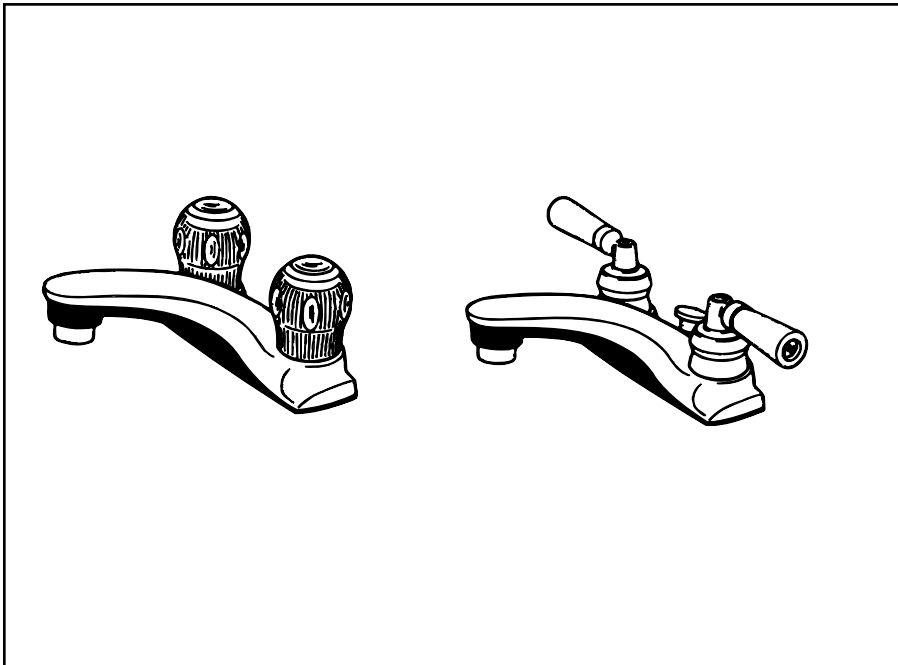
Models C632, C632R, C632P,  
C632PR, C632GP, C632GPR

## Standard Features

- Minimum working input  
water pressure .....20 psi
- Maximum operating  
input water pressure .....80 psi
- Maximum pressure .....125 psi
- Maximum flow rate ..2.0 gpm at 60 psi  
(see chart)
- Valve type .....ceramic washerless  
cartridge
- Installation requirements .....3 sink holes  
Minimum 1 1/8" Dia. In-line 4" centers
- Supply Connectors .....1/2" IPS

## Standards and Ratings

- ASME A112.18.1M American Society of  
Mechanical Engineers Standard:  
"Plumbing Fixtures Fittings"
- ANSI 117.1 American National  
Standards Institute: "American National  
Standards Specifications for making  
buildings and facilities accessible to and  
usable by physically handicapped peo-  
ple."(Lever Handles Only)
- ADA "Americans with Disabilities Act" -  
Non-discrimination on basis of Disability by  
Public Accommodations and in Commercial  
facilities; Final Rule dated 7/26/91 28 CFR  
Part 36 (Lever Handles Only)



### Features

- Chrome plated**
- Choice of acrylic or  
decorative lever handles**
- Long Spout**
- Ceramic washerless  
cartridge**

### Benefits

- Durable and easy to clean.
- Easy operation and unique style  
coordinates with traditional or  
contemporary decor.
- Dramatic style and added convenience.
- Extremely durable. Easy repair and  
maintenance.

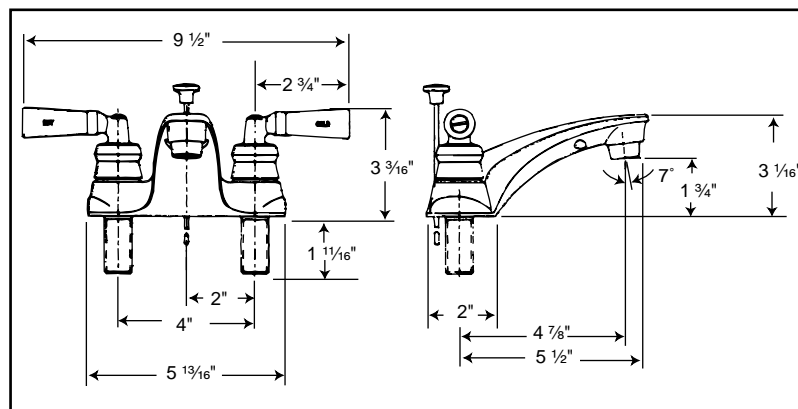
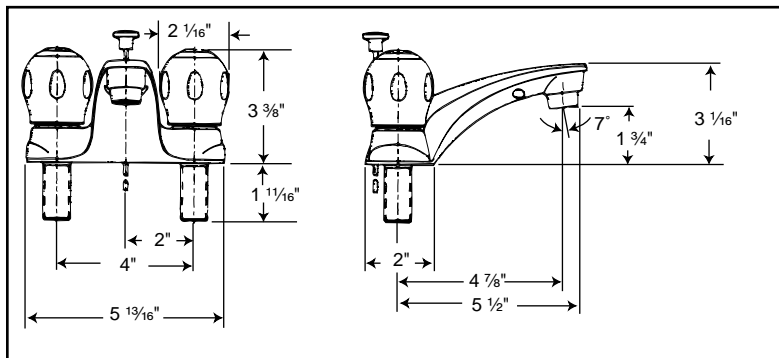
## Optional Features

- |                                                     |                                                   |                                       |
|-----------------------------------------------------|---------------------------------------------------|---------------------------------------|
| <input type="checkbox"/> Styled Acrylic<br>Handles  | <input type="checkbox"/> Chrome Finish            | <input type="checkbox"/> Brass Pop-Up |
| <input type="checkbox"/> Wood Lever<br>Handles      | <input type="checkbox"/> Polished Brass<br>Finish | <input type="checkbox"/> Metal Pop-Up |
| <input type="checkbox"/> Porcelain Lever<br>Handles |                                                   |                                       |

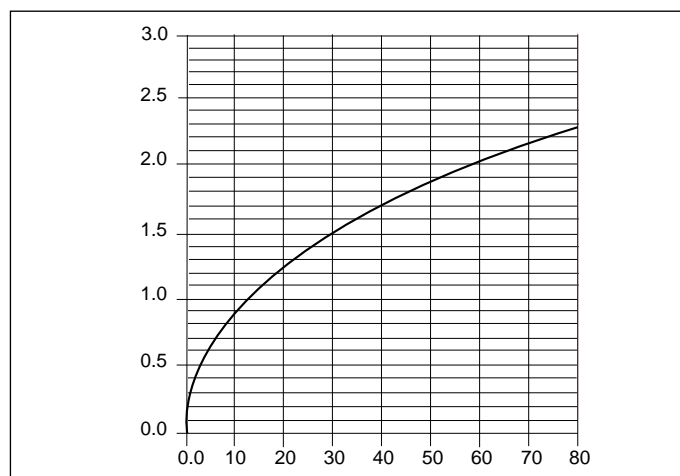
**Bath Classics™**  
**Twin Handle Lavatory Faucet**

D I M E N S I O N S

Models C632, C632R, C632P,  
 C632PR, C632GP, C632GPR



**FLOWRATE (gpm)**



**LINE PRESSURE**  
**P.S.I. GAUGE**



STRONG. PROFESSIONAL. DESIGN.™

© 2001 Sterling Plumbing, 444 Highland Drive, Kohler, WI 53044 1-888-STERLING  
 www.sterlingplumbing.com

Fixture dimensions are nominal and conform to tolerances established by ANSI Standards, Z124.1.

★ Made in U.S.A.

Printed in U.S.A.