



STRONG. PROFESSIONAL. DESIGN.[™]
SPECIFICATIONS

Specialty Basics Washerless Twin Handle Bar Faucets Model 8390

Standard Features

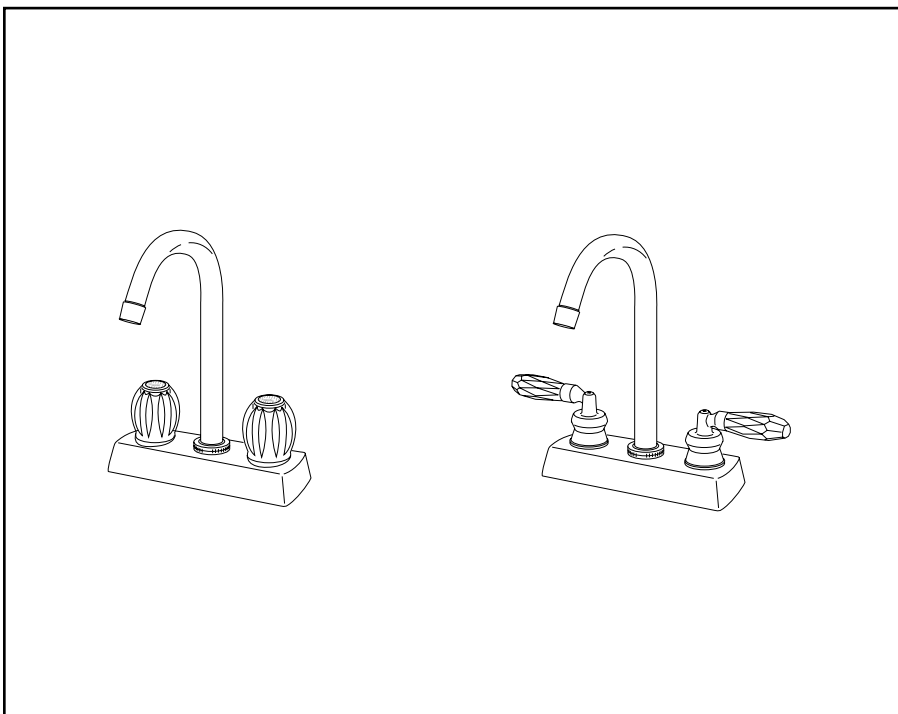
- Minimum working input
water pressure20 psi
- Maximum operating
input water pressure80 psi
- Maximum pressure125 psi
- Maximum flow rate ..2.2 gpm at 60 psi
(see chart)
- Valve type.....washerless valving
- Installation requirements2 sink holes
Minimum 1-1/8" Dia. In line, 4" centers
- Supply Connectors Non-metallic
shanks

Standards and Ratings

- ASME A112.18.1M American Society of
Mechanical Engineers Standard:
"Plumbing Fixtures Fittings"
- ANSI 117.1 American National
Standards Institute: "American National
Standards Specifications for making
buildings and facilities accessible to and
usable by physically handicapped
people."(Lever Handles Only)
- ADA "Americans with Disabilities Act" -
Non-discrimination on basis of Disability by
Public Accommodations and in Commercial
facilities; Final Rule dated 7/26/91 28 CFR
Part 36 (Lever Handles Only)

Optional Features

- Round Acrylic Handles



Features

Benefits

Chrome plated finish

Durable and easy to clean.

Tubular spout

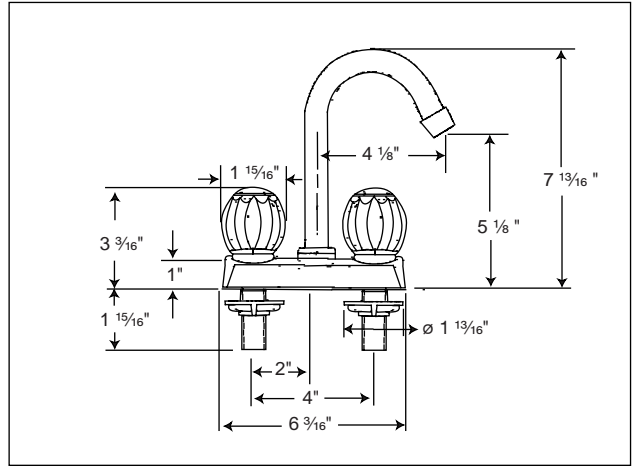
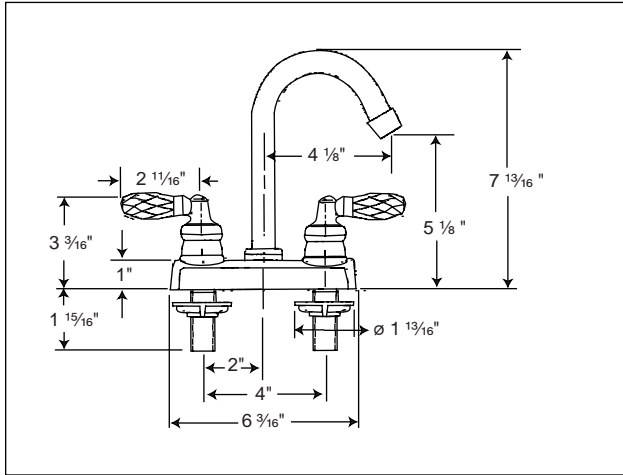
Dramatic style and added convenience.

Washerless valves

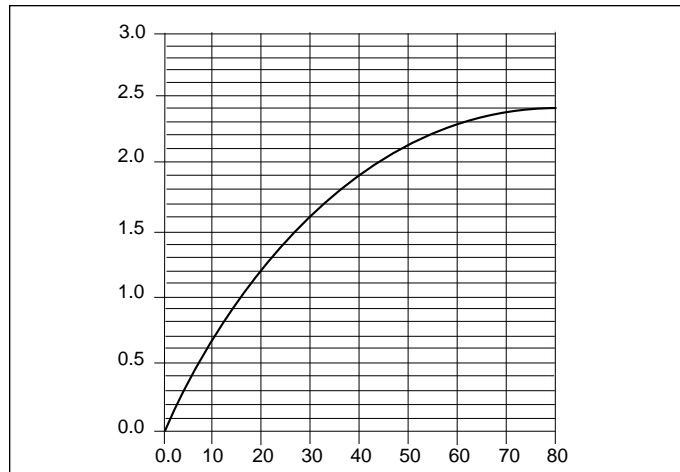
Proven drip-free performance.

Specialty Basics
Washerless Twin Handle
Bar Faucets
 Model 8390

D I M E N S I O N S



FLOWRATE (gpm)



LINE PRESSURE
P.S.I. GAUGE



STRONG. PROFESSIONAL. DESIGN.™