



STRONG. PROFESSIONAL. DESIGN.[™]
SPECIFICATIONS

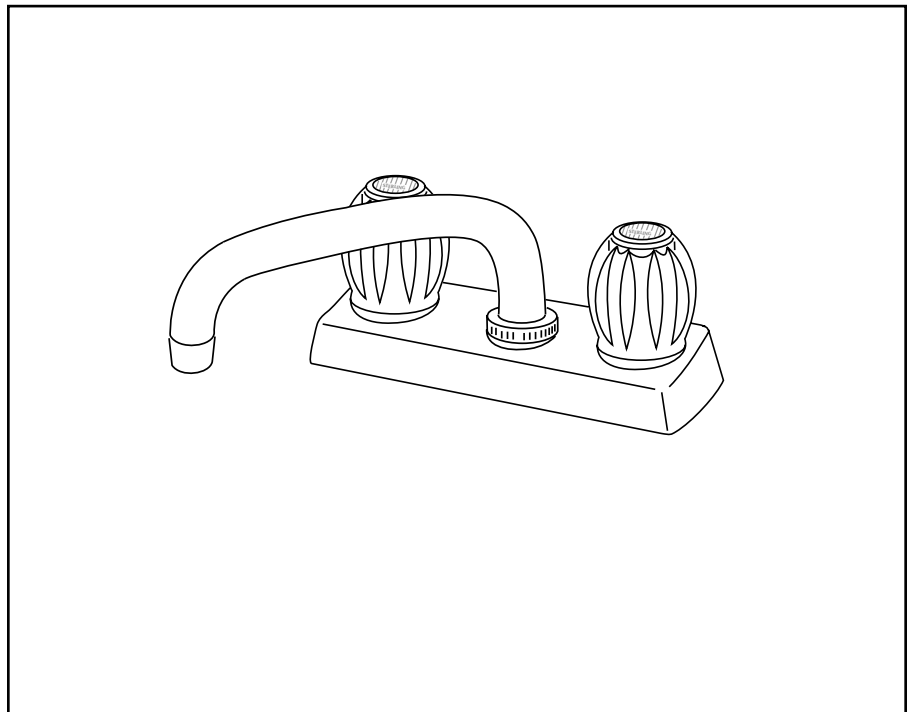
Specialty Basics
Washerless Twin Handle
Laundry Faucets
Model 8370

Standard Features

- Minimum working input
water pressure20 psi
- Maximum operating
input water pressure80 psi
- Maximum pressure125 psi
- Valve type.....washerless valving
- Installation requirements2 sink holes
Minimum 1-1/8" Dia. In line, 4" centers
- HandlesRound Acrylic
- FinishChrome
- Supply Connectors Non-metallic
shanks

Standards and Ratings

- ASME A112.18.1M American Society of
Mechanical Engineers Standard:
"Plumbing Fixtures Fittings"



Features

Benefits

Chrome plated finish

Durable and easy to clean.

Tubular spout

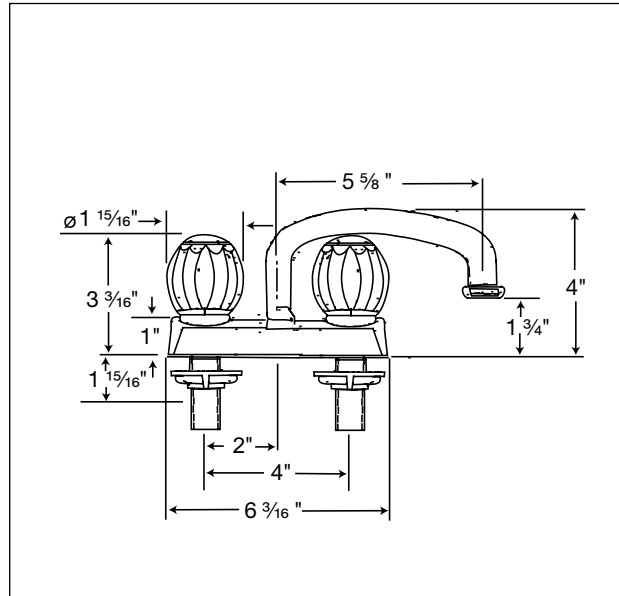
Provides for added convenience.

Washerless valves

Proven drip-free performance.

Specialty Basics
Washerless Twin Handle
Laundry Faucets
Model 8370

D I M E N S I O N S



STRONG. PROFESSIONAL. DESIGN.™