



STRONG. PROFESSIONAL. DESIGN.[™]
S P E C I F I C A T I O N S

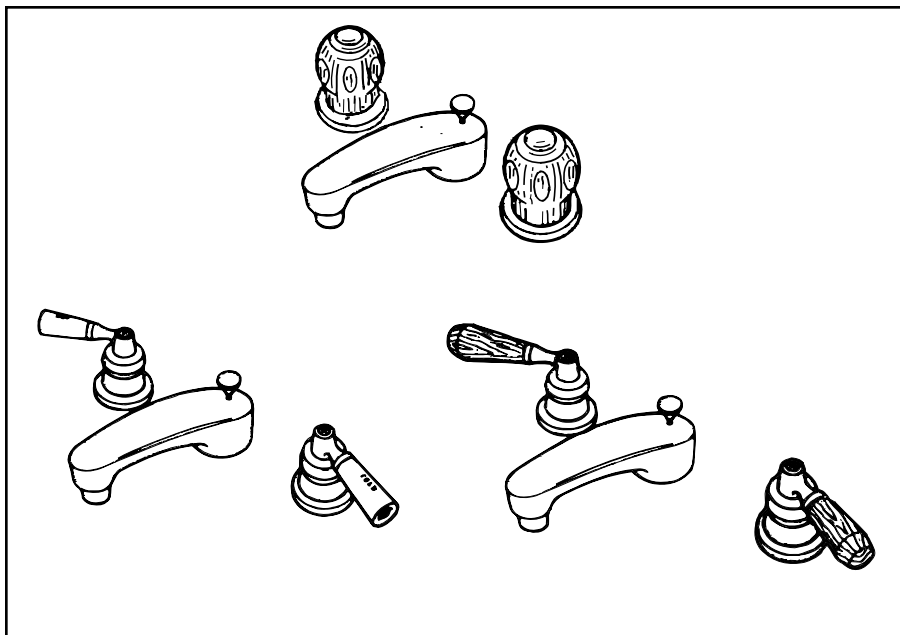
Kitchen Classics[™]

Twin Handle Widespread Faucets

Models C812, C812R, C812S, C812SR, C822, C822S, C822SR, C824, C824S, C824SR, C825, C825S, C825SR, C824CGS, C824CGSR, C826, C826S, C826R, C826SR, C826WCS, C826WCSR, C826ACS, C826ACSR

Standard Features

- Minimum working input water pressure20 psi
- Maximum operating input water pressure80 psi
- Maximum pressure125 psi
- Maximum flow rate ..2.0 gpm at 60 psi (see chart)
- Supply Connectors1/2" IPS
- Valve typeceramic washerless cartridge
- Installation requirements3 sink holes, Minimum 1-1/8" Dia. In-line, Min. 8"/Max. 12" centers
- Spout9" cast



Standards and Ratings

- ASME A112.18.1M American Society of Mechanical Engineers Standard: "Plumbing Fixtures Fittings"
- ANSI 117.1 American National Standards Institute: "American National Standards Specifications for making buildings and facilities accessible to and usable by physically handicapped people." (Lever Handles Only)
- ADA "Americans with Disabilities Act" - Non-discrimination on basis of Disability by Public Accommodations and in Commercial facilities; Final Rule dated 7/26/91 28 CFR Part 36 (Lever Handles Only)

Features

Chrome plated or polished brass finish

Choice of handles

Cast Spout

Ceramic washerless cartridges

Benefits

Durable and easy to clean.

Easy operation and unique style coordinates with traditional or contemporary decor.

Extra long length.

Extremely durable. Easy repair and maintenance.

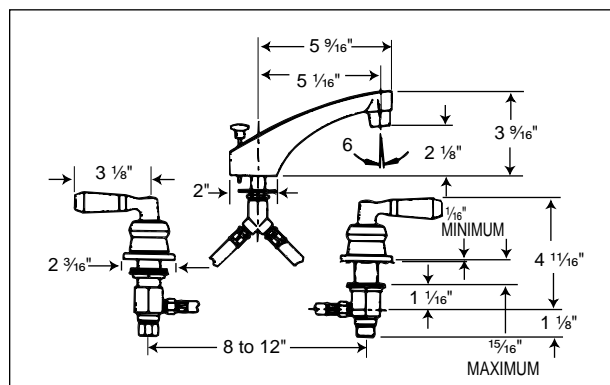
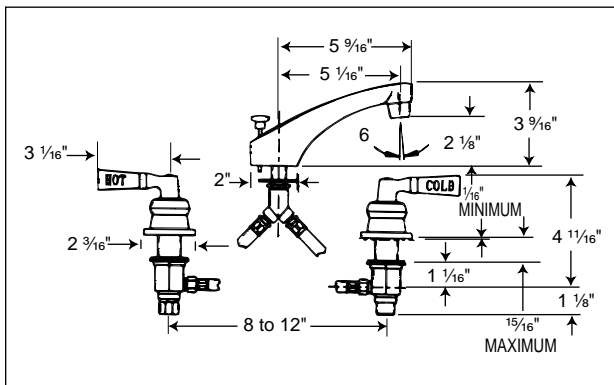
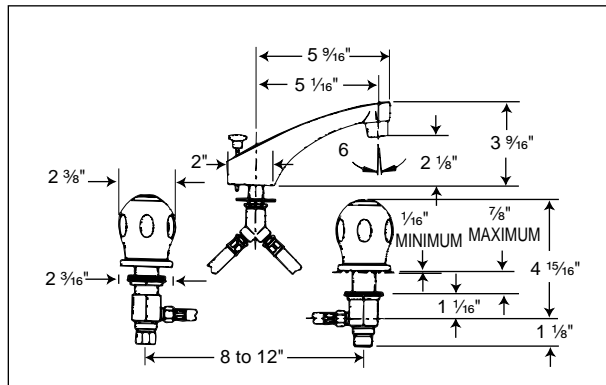
Optional Features

- Styled Acrylic Handles
- Wood Lever Handles
- Porcelain Lever Handles
- Chrome Finish
- Polished Brass Finish
- Chrome w/Polished Brass Accents Finish

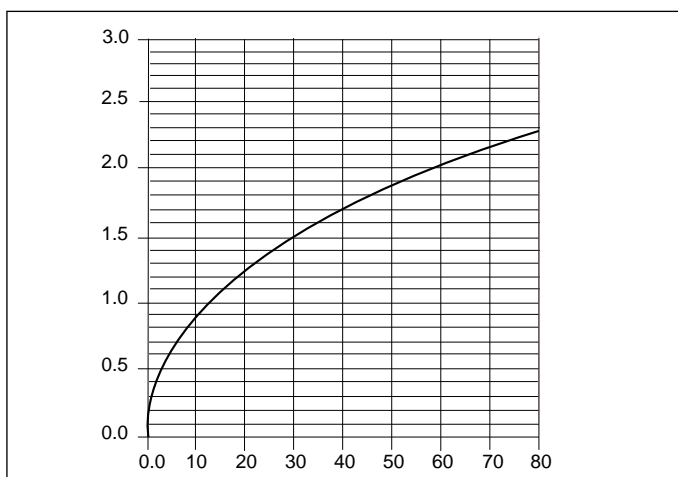
Kitchen Classics™ Twin Handle Widespread Faucets

D I M E N S I O N S

Models C812, C812R, C812S,
C812SR, C822, C822S,
C822SR, C824, C824S,
C824SR, C825, C825S,
C825SR, C824CGS,
C824CGSR, C826, C826S,
C826R, C826SR, C826WCS,
C826WCSR, C826ACS,
C826ACSR



FLOWRATE (gpm)



LINE PRESSURE
P.S.I. GAUGE



STRONG. PROFESSIONAL. DESIGN.™

© 2001 Sterling Plumbing, 444 Highland Drive, Kohler, WI 53044 1-888-STERLING
www.sterlingplumbing.com

Pub. No. 97172 01/02

Fixture dimensions are nominal and conform to tolerances established by ANSI Standards, Z124.1.

★ Made in U.S.A.

Printed in U.S.A.