



STRONG. PROFESSIONAL. DESIGN.™
S P E C I F I C A T I O N S

Bath Classics™ Washerless Two Valve Tub & Shower Faucet

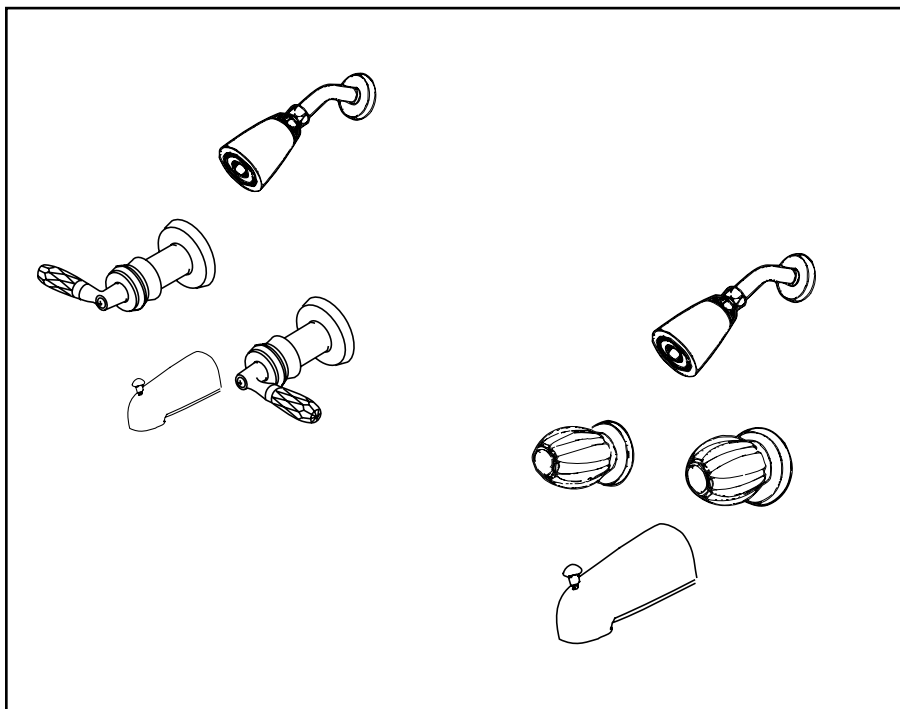
Models 3521, 3529, 3521G,
3529G, 31621, 31629

Standard Features

- Minimum working input water pressure20 psi
- Maximum operating input water pressure80 psi
- Maximum pressure125 psi
- Shower flow rate2.5 gpm at 80 psi
- Tub filler flow rate6.5 gpm at 60 psi
- Maximum handle torque at 80 psi1.25 ft lbs
- Supply connectors1/2" IPS/copper combination
- Shower and tub spout output connectors1/2" IPS

Standards and Ratings

- ASME A112.18.1M American Society of Mechanical Engineers Standard: "Plumbing Fixtures Fittings"
- ANSI 117.1 American National Standards Institute: "American National Standards Specifications for making buildings and facilities accessible to and usable by physically handicapped people."(Lever Handles Only)
- ADA "Americans with Disabilities Act" - Non-discrimination on basis of Disability by Public Accommodations and in Commercial facilities; Final Rule dated 7/26/91 28 CFR Part 36 (Lever Handles Only)



Features

Chrome plated, polished brass or color finish

Choice of handles

Washerless Valves

Benefits

Durable and easy to clean.

Easy operation and unique style coordinates with traditional or contemporary decor.

Proven drip-free performance.

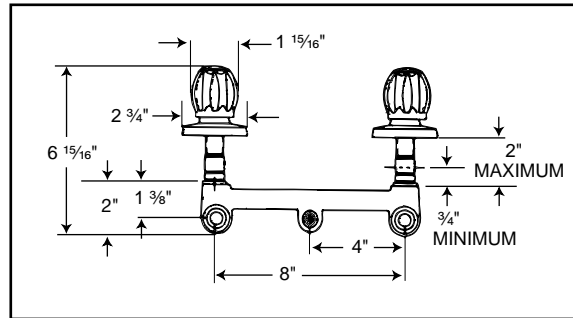
Optional Features

- | | | | |
|---------------------------------------|--|---|--|
| <input type="checkbox"/> Tub & Shower | <input type="checkbox"/> Round Acrylic Handles | <input type="checkbox"/> Chrome | <input type="checkbox"/> IPS |
| <input type="checkbox"/> Tub Filler | <input type="checkbox"/> Acrylic Lever Handles | <input type="checkbox"/> Polished Brass | <input type="checkbox"/> Copper Connection |
| <input type="checkbox"/> Shower Only | | | |
| <input type="checkbox"/> Valve Only | | | |

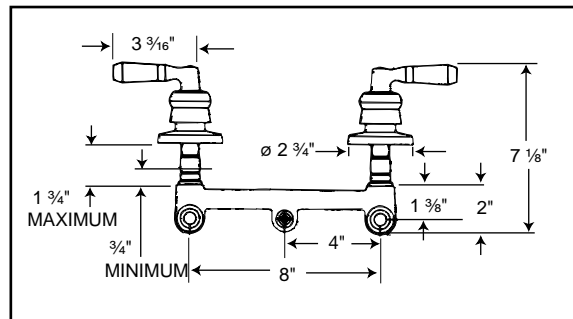
Bath Classics™ Washerless Two Valve Tub & Shower Faucet

Models 3521, 3529, 3521G,
3529G, 31621, 31629

D I M E N S I O N S

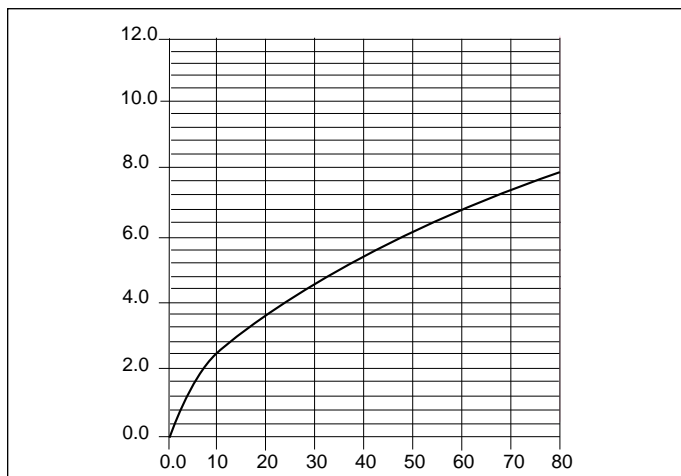


Two Valve Tub & Shower with
Economy Acrylic Handles



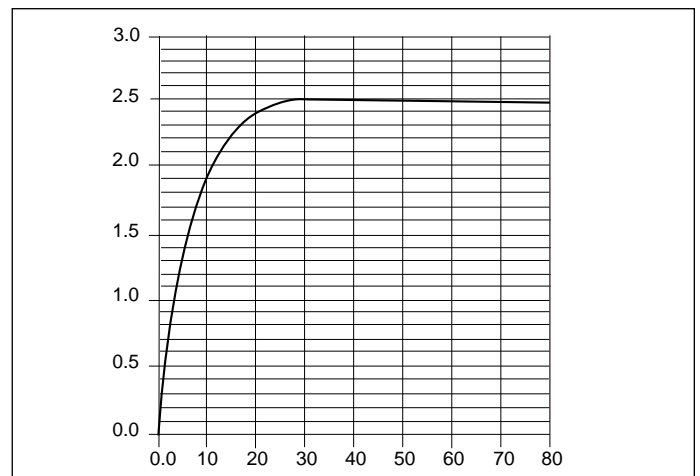
Two Valve Tub & Shower with
Acrylic Lever Handles

TUB FILLER FLOWRATE (gpm)



LINE PRESSURE
P.S.I. GAUGE

SHOWER FLOWRATE (gpm)



LINE PRESSURE
P.S.I. GAUGE



STRONG. PROFESSIONAL. DESIGN.™

© 2001 Sterling Plumbing, 444 Highland Drive, Kohler, WI 53044 1-888-STERLING
www.sterlingplumbing.com

Fixture dimensions are nominal and conform to tolerances established by ANSI Standards, Z124.1.