



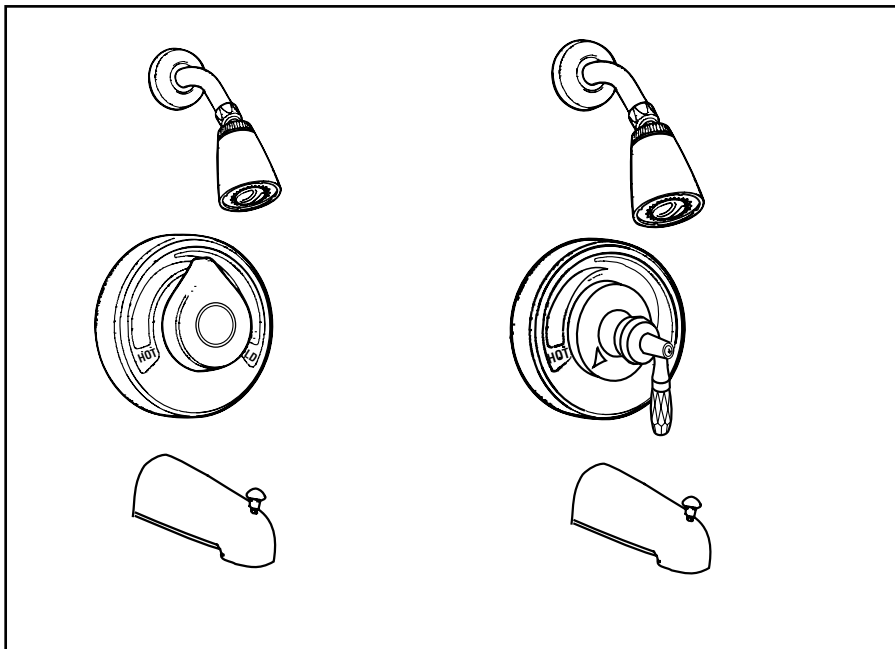
STRONG. PROFESSIONAL. DESIGN.<sup>™</sup>  
S P E C I F I C A T I O N S

## Bath Classics<sup>™</sup> Mixing Valve Tub & Shower Faucets

Models 2121, 2129, 2121G, 2221,  
2221G, 2321, 2321G, 2421, 2421G

### Standard Features

- Minimum working input water pressure .....20 psi
- Maximum recommended operating input water pressure .....80 psi
- Maximum pressure .....125 psi
- Shower flow rate .....2.5 gpm at 80 psi
- Tub filler flow rate ....6.5 gpm at 60 psi
- Maximum handle torque at 80 psi .....1.25 ft lbs
- Supply connectors .....1/2" IPS/copper combination
- Shower and tub spout output connectors.....1/2" IPS/copper combination
- Directional flow control .....Hot-Cold flow reversal by mixing valve adjustment allows "back-to-back" installation



### Standards and Ratings

- ASME A112.18.1M American Society of Mechanical Engineers Standard: "Plumbing Fixtures Fittings"
- ANSI 117.1 American National Standards Institute: "American National Standards Specifications for making buildings and facilities accessible to and usable by physically handicapped people." (Lever Handle Only)
- ADA "Americans with Disabilities Act"- Non-Discrimination on basis of disability by Public Accommodations and in Commercial facilities; Final Rule dated 7/26/91 28 CFR Part 36 (Lever Handle Only)

### Optional Features

- |                                       |   |   |   |
|---------------------------------------|---|---|---|
| <input type="checkbox"/> Tub & Shower | <input type="checkbox"/> With integral stops    | <input type="checkbox"/> Chrome         | <input type="checkbox"/> Teardrop handle      |
| <input type="checkbox"/> Shower Only  | <input type="checkbox"/> Without integral stops | <input type="checkbox"/> Polished Brass | <input type="checkbox"/> Acrylic lever handle |
| <input type="checkbox"/> Valve Only   |   |   |   |

### Features

#### Cold through hot rotation

#### Molded-in graphics

#### Handle options

#### Optional screwdriver stop

#### Optional back plate

### Benefits

Eliminates the potential for bather scalding by inadvertent valve opening at high temperatures.

Attractive, easy-to-read.

Easy-to-use lever handle meets handicap requirements.

Provides local servicing of the valve without shutting off water supply to other fixtures.

Added strength, extra rigidity on thin wall installations.

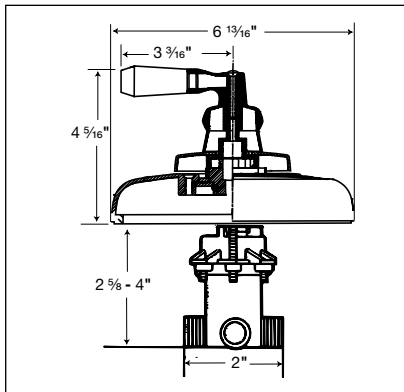
**Bath Classics™**

**Mixing Valve Tub & Shower Faucets**

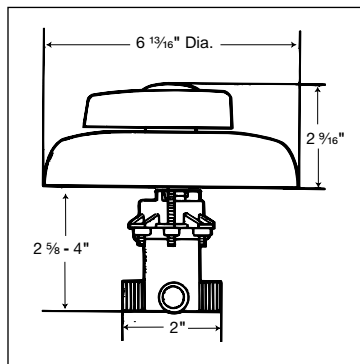
Models 2121, 2129, 2121G, 2221, 2221G,  
2321, 2321G, 2421, 2421G

D I M E N S I O N S

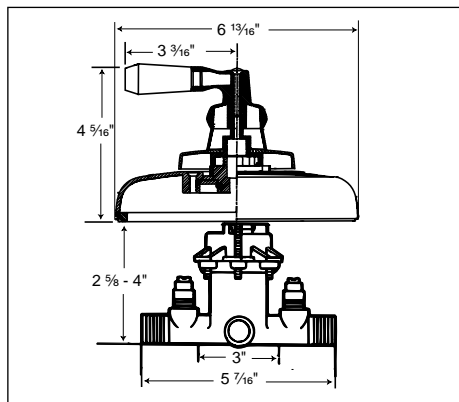
Side view without stops



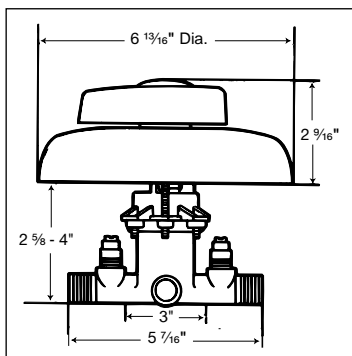
Side view without stops



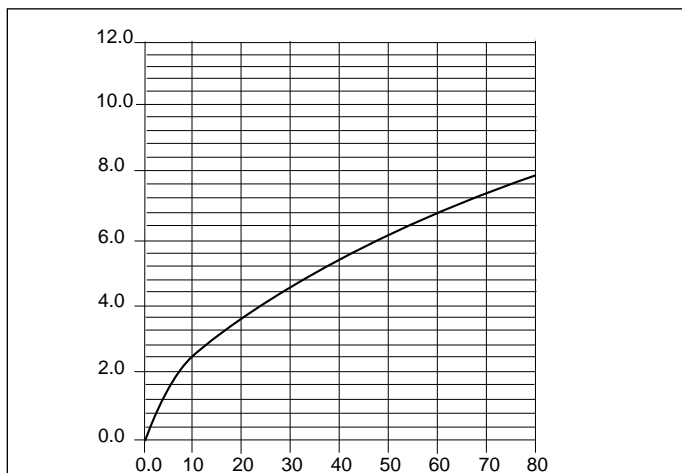
Top view with stops



Top view with stops

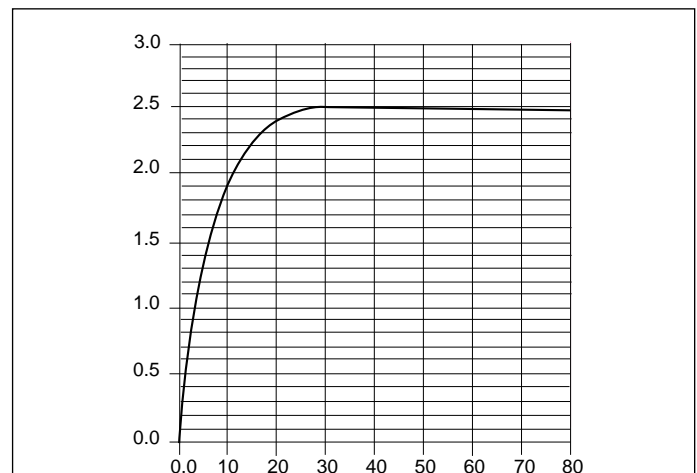


**TUB FILLER FLOWRATE (gpm)**



**LINE PRESSURE  
P.S.I. GAUGE**

**SHOWER FLOWRATE (gpm)**



**LINE PRESSURE  
P.S.I. GAUGE**



STRONG. PROFESSIONAL. DESIGN.™

© 2001 Sterling Plumbing, 444 Highland Drive, Kohler, WI 53044 1-888-STERLING

[www.sterlingplumbing.com](http://www.sterlingplumbing.com)

Fixture dimensions are nominal and conform to tolerances established by ANSI Standards, Z124.1.

★ Made in U.S.A.

Printed in U.S.A.