



A KOHLER COMPANY

MIDDLETON™

DOUBLE BASIN SINK 14633

ADA

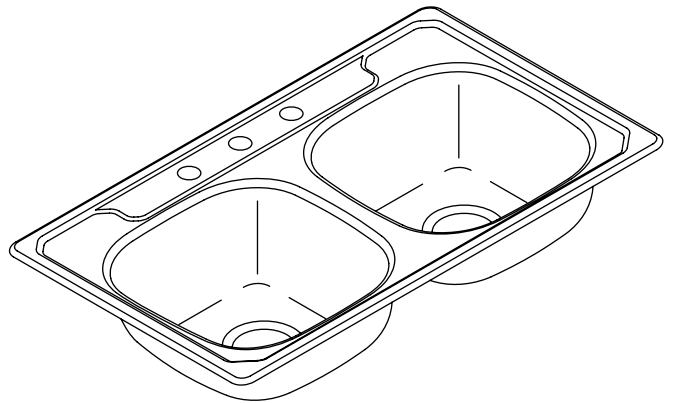
Features

- SilentShield™ sound deadening
- 23 gauge stainless steel
- Double basin, ledge back sink
- Self-rimming; rolled rim
- 33" (83.8 cm) x 22" (55.9 cm) x 6" (15.2 cm)

Codes/Standards Applicable

Specified model meets or exceeds the following:

- ASME A112.19.3
- ADA



Colors/Finishes

- NA: None applicable

Accessories:

- NA: None applicable

Specified Model

Model	Description	Faucet Holes	Quantity	Basin Depth	Colors/ Finishes
14633-3S	Stainless steel double basin sink, single pack (shown)	3	1	6" (15.2 cm)	<input type="checkbox"/> NA
14633-3F	Stainless steel double basin sink, bulk pack	3	50	6" (15.2 cm)	<input type="checkbox"/> NA
14633-4S	Stainless steel double basin sink, single pack	4	1	6" (15.2 cm)	<input type="checkbox"/> NA
14633-4F	Stainless steel double basin sink, bulk pack	4	50	6" (15.2 cm)	<input type="checkbox"/> NA
14633-5S	Stainless steel double basin sink, single pack	5	1	6" (15.2 cm)	<input type="checkbox"/> NA
14633-5F	Stainless steel double basin sink, bulk pack	5	50	6" (15.2 cm)	<input type="checkbox"/> NA

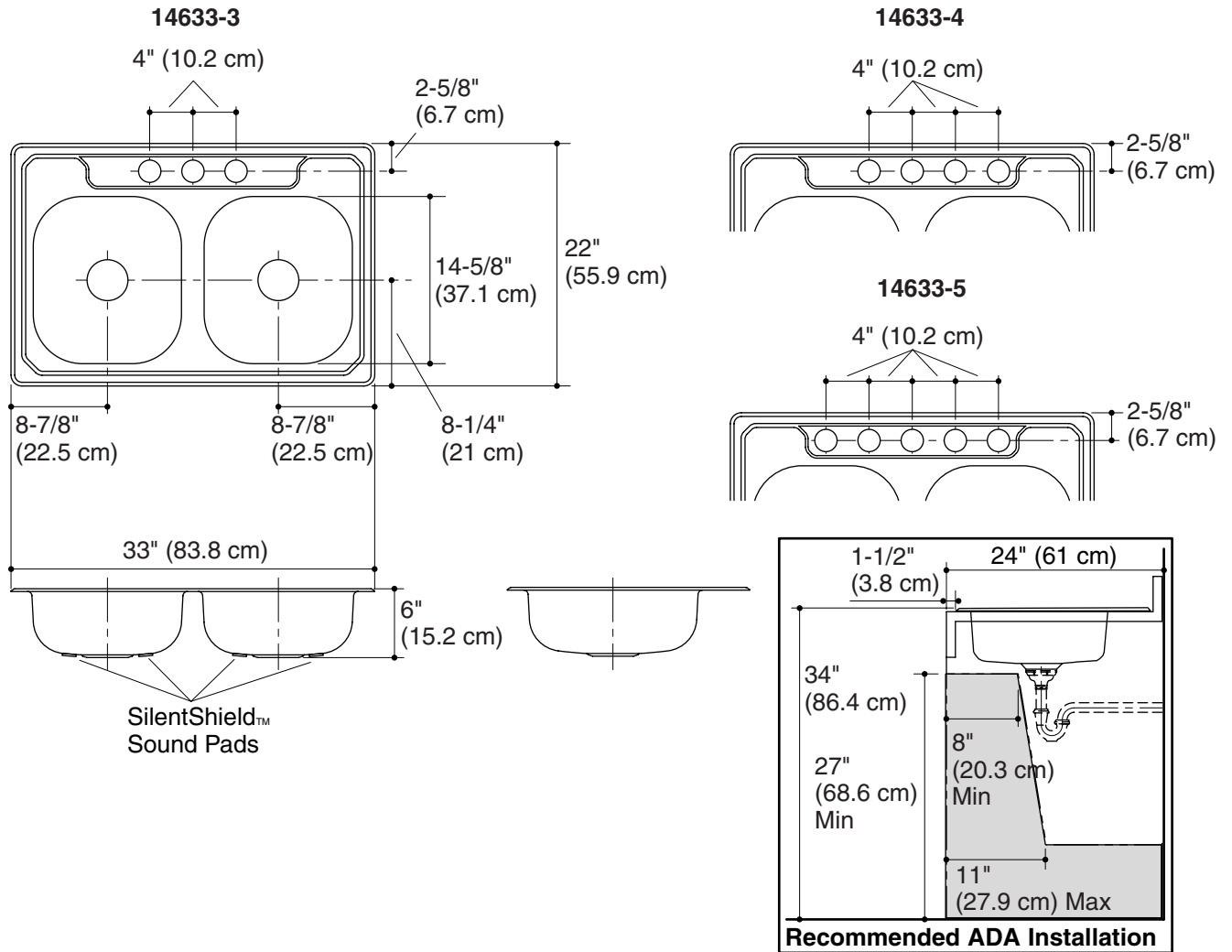
SterlingPlumbing.com

Visit us online for fixture color choices, detailed product information, color photos, installation instructions, care guides, and warranties. Sterling offers additional lines of plumbing products to complement the Sterling product you've chosen. Sign up for the Sterling monthly e-newsletter which showcases our latest product innovations. You may also call our Sterling Plumbing Answer Center from within the USA at 1-888-STERLING in addition to consulting with your local dealer. Sterling. Strong. Professional. Design.

MIDDLETON™

Technical Information

Fixture*:	
Sink	
Cutout size	32-1/2" (82.6 cm) x 18-1/2" (47 cm)
Basin area	13-3/4" (34.9 cm) x 15-1/2" (39.4 cm)
Drain holes	3-5/8" (9.2 cm) D.
Faucet holes	1-7/16" (3.7 cm) D.
* Approximate measurements for comparison only.	



Product Diagram