



A KOHLER COMPANY

ACCORD™

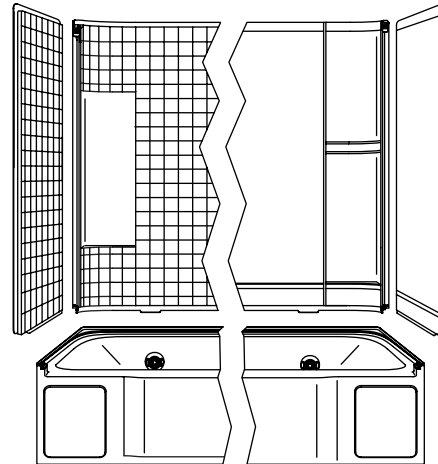
## Features

- Compression molded from Sterling's exclusive solid Vikrell® material
- Pivot "snap together" installation
- Modular 4-piece design
- Integral apron with removable access panel
- Durable high gloss finish
- Wall surround available with smooth finish or glazed tile appearance
- 1.25 hp pump with air switch and grounding-type plug-in cord
- 6 Jets
- 10 year consumer/3 year commercial limited warranty, pump motor assembly has 1 year limited warranty
- 60" (152.4 cm) x 31-1/4" (79.4 cm) x 73-1/4" (186.1 cm) complete unit rough-in dimensions include flange
- 60" (152.4 cm) x 30" (76.2 cm) x 72" (182.9 cm) complete unit finished dimensions

## 60" (152.4 cm) TILE BATH/SHOWER WHIRLPOOL

# 76140110

ALSO 76140120, 76240110, 76240120



## Codes/Standards Applicable

Specified model meets or exceeds the following:

- ASME A112.19.7M
- ASME A112.19.8M
- ASTM E162
- ASTM E662
- ANSI Z124.1.2
- IAPMO/UPC
- Underwriters Laboratories (UL)

## Colors/Finishes

- 0: White
- Other: Refer to Price Book for additional colors/finishes

## Specified Model

Model	Complete Unit Description	Colors/Finishes	
76140110	Tile finish wall surround and bath whirlpool with left drain	<input type="checkbox"/> 0	<input type="checkbox"/> Other _____
76140120	Tile finish wall surround and bath whirlpool with right drain	<input type="checkbox"/> 0	<input type="checkbox"/> Other _____
76240110	Smooth finish wall surround and bath whirlpool with left drain	<input type="checkbox"/> 0	<input type="checkbox"/> Other _____
76240120	Smooth finish wall surround and bath whirlpool with right drain	<input type="checkbox"/> 0	<input type="checkbox"/> Other _____

## SterlingPlumbing.com

Visit us online for fixture color choices, detailed product information, color photos, installation instructions, care guides, and warranties. Sterling offers additional lines of plumbing products to complement the Sterling product you've chosen. Sign up for the Sterling monthly e-newsletter which showcases our latest product innovations. You may also call our Sterling Plumbing Answer Center from within the USA at 1-888-STERLING in addition to consulting with your local dealer. Sterling. Strong. Professional. Design.

## Technical Information

Fixture*:	basin area	top area
Bathing well	46-1/4" (117.5 cm) x 20-1/2" (52.1 cm)	52-1/4" (132.7 cm) x 22-1/2" (57.2 cm)
To overflow	water depth	capacity
	11" (27.9 cm)	34 gal (128.7 L)

\* Approximate measurements for comparison only.

Pump:	Hp	V	Hz	A
1-speed	1.25	120	60	7

Model	Door maximum width	Door maximum height
76140110 76140120 76240110 76240120	56-3/4" (144.1 cm)	56-1/2" (143.5 cm)

## Required Electrical Service

Dedicated circuit required, protected with Class A Ground-Fault Circuit-Interrupter (GFCI):	
Pump	120 V, 15 A, 60 Hz

## Installation Notes

Install this product according to the installation guide.

Pump is supplied with a grounding type plug-in cord. Locate the outlet behind the whirlpool, and within 24" (61 cm) of the pump.

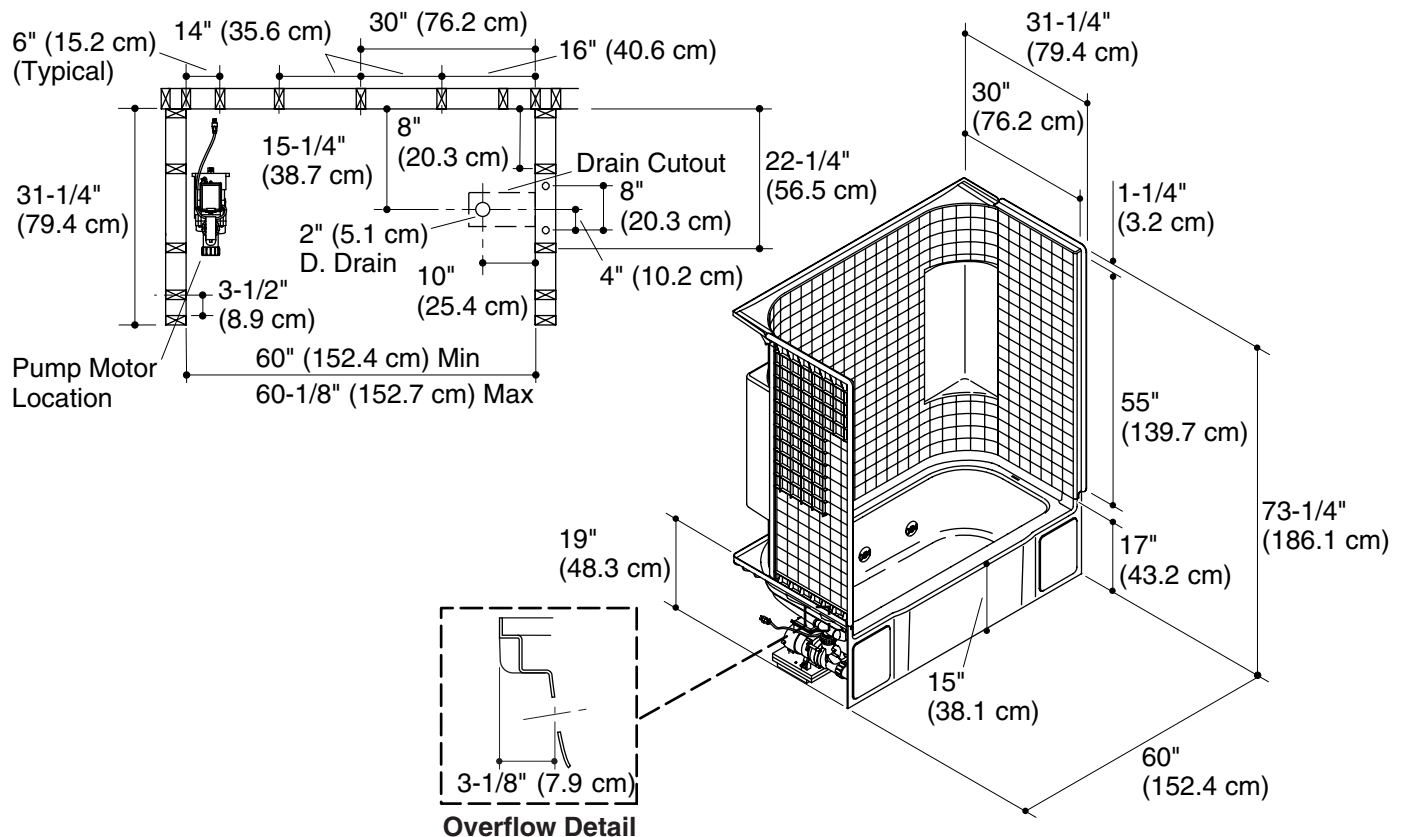
Do not disassemble the pump or piping as this could void the warranty.

Size the drain cutout to fit the drain assembly that will be used.

Stud positioning is critical.

Studs should be positioned roughly as shown for support clip or roofing nail installation.

Bath cannot be installed without the wall surround.



**Product Diagram**