



A KOHLER COMPANY

FINESSE™

Features

- Heavy-duty, anodized aluminum-framed sliding glass doors
- Out-of-plumb adjustability allows for easy installation
- Aluminum components extruded from alloy 6063-T5
- 1/4" (6 mm) thick tempered glass
- Tempered glass ensures maximum safety and durability
- Two designer towel bars, located both inside and outside, enhance appearance and usability
- Reversible top track can be installed with either the round or flat side facing out
- Stainless steel hardware prevents rusting or corrosion

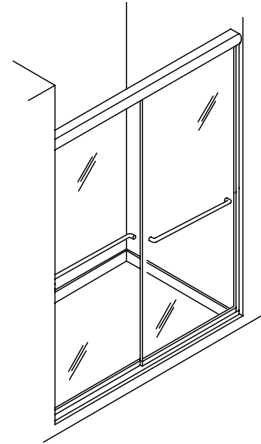
Codes/Standards Applicable

Specified model meets or exceeds the following:

- ANSI Z97.1 (tempered glass)

FRAMELESS BYPASS SHOWER DOOR

SP5465-45
ALSO SP5475-57



Colors/Finishes

- S: Silver
- PB: Polished Brass
- N: Nickel
- DR: Deep Bronze

Accessories:

- 0: White
- Other: Refer to Price Book for additional colors/finishes

Specified Model

Model	Application	Glass Texture	Pattern	Frame Colors/Finishes			
SP5465-45*-G05	Shower	Smooth	Clear	<input type="checkbox"/> S	<input type="checkbox"/> PB	<input type="checkbox"/> N	<input type="checkbox"/> DR
SP5475-57*-G05	Shower	Smooth	Clear	<input type="checkbox"/> S	<input type="checkbox"/> PB	<input type="checkbox"/> N	<input type="checkbox"/> DR
* Note: Add appropriate frame color/finish code to the end of the unit model # when ordering							

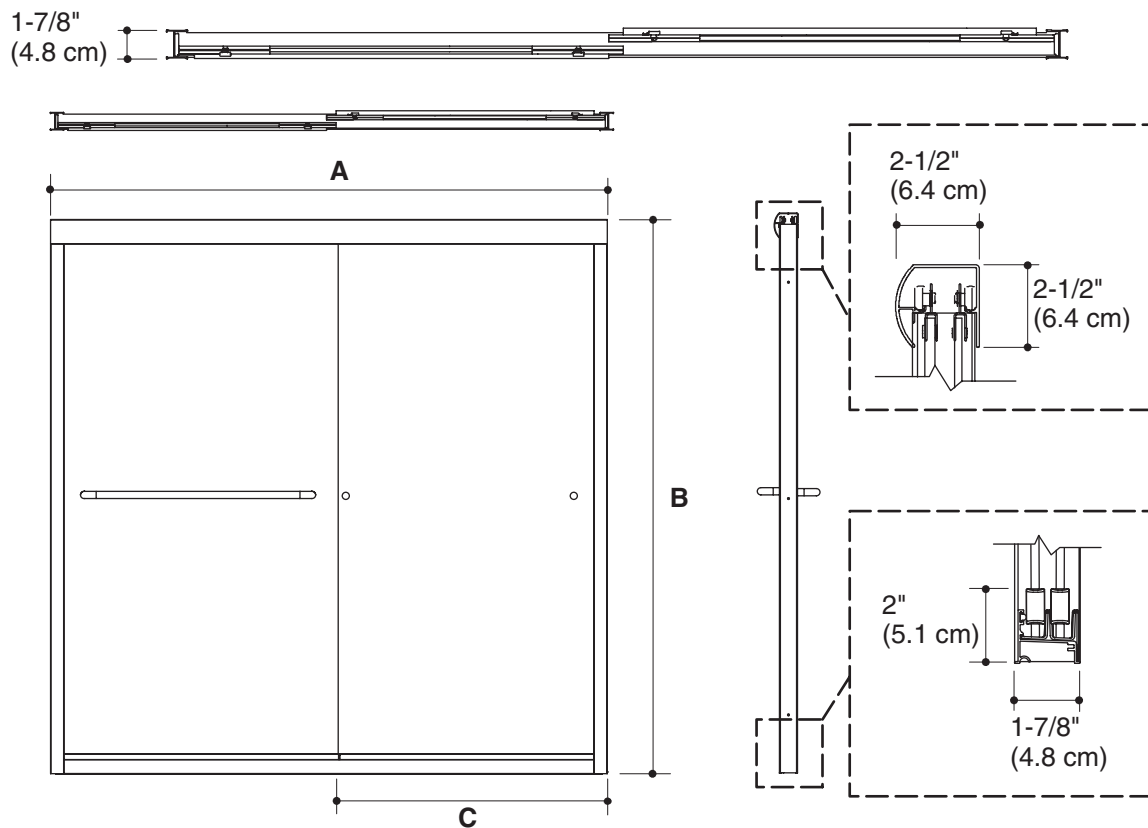
Recommended Accessories		Colors/Finishes	
62030100	Advantage 48" Shower Surround (SP5465-45*)	<input type="checkbox"/> 0	<input type="checkbox"/> Other ____
62040100	Advantage 60" Shower Surround (SP5475-57*)	<input type="checkbox"/> 0	<input type="checkbox"/> Other ____

SterlingPlumbing.com

Visit us online for fixture color choices, detailed product information, color photos, installation instructions, care guides, and warranties. Sterling offers additional lines of plumbing products to complement the Sterling product you've chosen. Sign up for the Sterling monthly e-newsletter which showcases our latest product innovations. You may also call our Sterling Plumbing Answer Center from within the USA at 1-888-STERLING in addition to consulting with your local dealer. Sterling. Strong. Professional. Design.

Technical Information

Model	A (max width)	B (height)	C (walk through max)
SP5465-45	45-3/8" (115.3 cm)	65-1/4" (165.7 cm)	20-1/4" (51.4 cm)
SP5475-57	57" (144.8 cm)	70-1/16" (178 cm)	26-1/8" (66.4 cm)



Product Diagram