



A KOHLER COMPANY

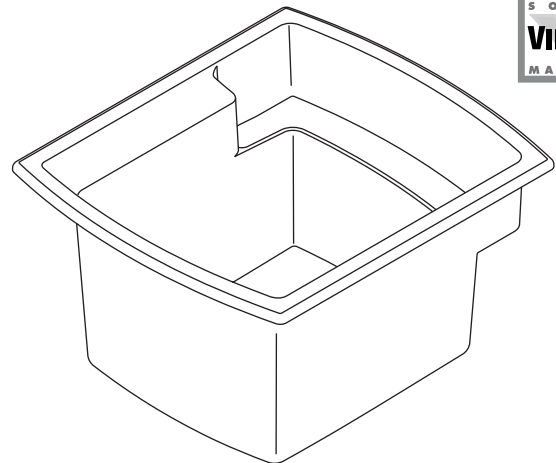
LATITUDE™

**VIKRELL® UTILITY SINK
995**



Features

- Compression molded from Sterling's exclusive solid Vikrell® material
- Multi-functional stepped design
- Self-rimming or undercounter
- Durable Bond finish
- Up to 3-faucet hole configuration
- Limited lifetime warranty
- 25" (63.5 cm) x 22" (55.9 cm) x 12-1/4" (31.1 cm)



Codes/Standards Applicable

Specified model meets or exceeds the following:

- IAPMO/UPC
- ASTM E162
- ASTM E662
- CSA International
- CSA B45.0
- CSA B45.5

Colors/Finishes

- 0: White
- Other: Refer to Price Book for additional colors/finishes

Specified Model

Model	Description	Quantity	Basin Depth	Colors/Finishes	
995	Vikrell utility sink, self-rimming	1	12-1/4" (31.1 cm)	<input type="checkbox"/> 0	<input type="checkbox"/> Other _____
F995	Vikrell utility sink, self-rimming, bulk pack	4	12-1/4" (31.1 cm)	<input type="checkbox"/> 0	<input type="checkbox"/> Other _____
995-U	Vikrell utility sink, undercounter	1	12-1/4" (31.1 cm)	<input type="checkbox"/> 0	<input type="checkbox"/> Other _____
F995-U	Vikrell utility sink, undercounter, bulk pack	4	12-1/4" (31.1 cm)	<input type="checkbox"/> 0	<input type="checkbox"/> Other _____

SterlingPlumbing.com

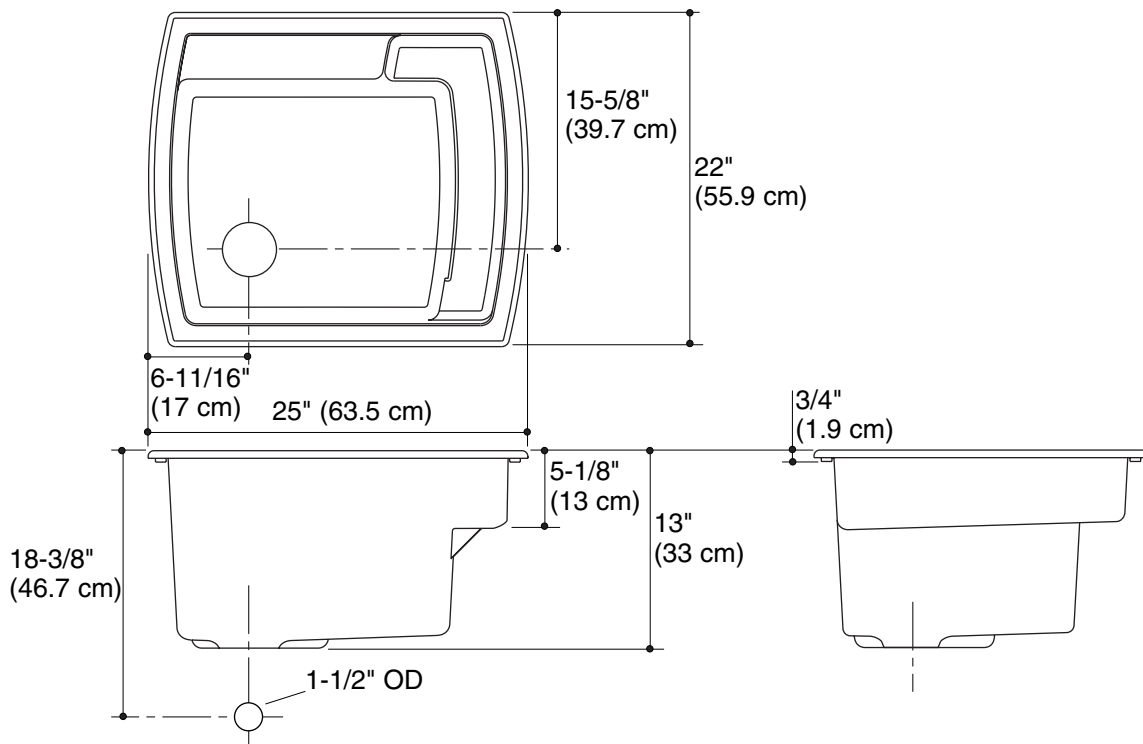
Visit us online for fixture color choices, detailed product information, color photos, installation instructions, care guides, and warranties. Sterling offers additional lines of plumbing products to complement the Sterling product you've chosen. Sign up for the Sterling monthly e-newsletter which showcases our latest product innovations. You may also call our Sterling Plumbing Answer Center from within the USA at 1-888-STERLING in addition to consulting with your local dealer. Sterling. Strong. Professional. Design.

Technical Information

Fixture*:	
Basin area	22" (55.9 cm) x 16" (40.6 cm)
Drain hole	3-1/2" (8.9 cm) D.
* Approximate measurements for comparison only.	
Included component:	
Cut-out template	1066395-7

Installation Notes

Install this product according to the installation guide.



Product Diagram