



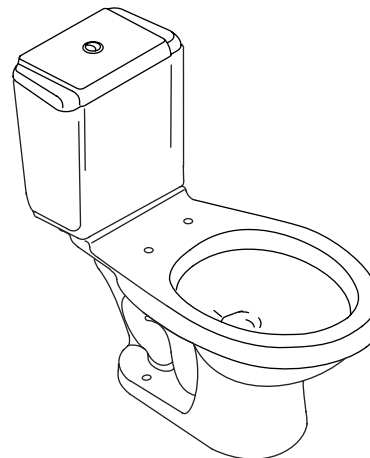
A KOHLER COMPANY

ROCKTON™

DUAL FORCE™ LOW CONSUMPTION TOILET 402027

Features

- 12" (30.5 cm) rough-in
- Modern styling made of Grade A vitreous china
- One flush performance limited guarantee
- 2" (5.1 cm) glazed trapway
- Elongated bowl
- Standard elongated seat - not supplied
- Seat post holes with 5-1/2" (14 cm) centers
- 5 year limited warranty
- Dual Force™ flushing system
- 1.6 gpm (6 lpm) or .8 gpm (3 lpm)
- Two-bolt installation system
- 31" (78.7 cm) x 13-5/8" (34.6 cm) x 29-7/8" (75.9 cm) rough-in



Codes/Standards Applicable

Specified model meets or exceeds the following:

- ASME A112.19.2
- IAPMO/UPC
- ASME A112.19.14
- CSA B45

Colors/Finishes

- 0: White
- Other: Refer to Price Book for additional colors/finishes

Accessories:

- NA: None applicable

Specified Model

Model	Description	Included tank	Included bowl	Colors/Finishes	
402027	Elongated front toilet, 12" (30.5 cm) rough-in	402022	402026	<input type="checkbox"/> 0	<input type="checkbox"/> Other_____

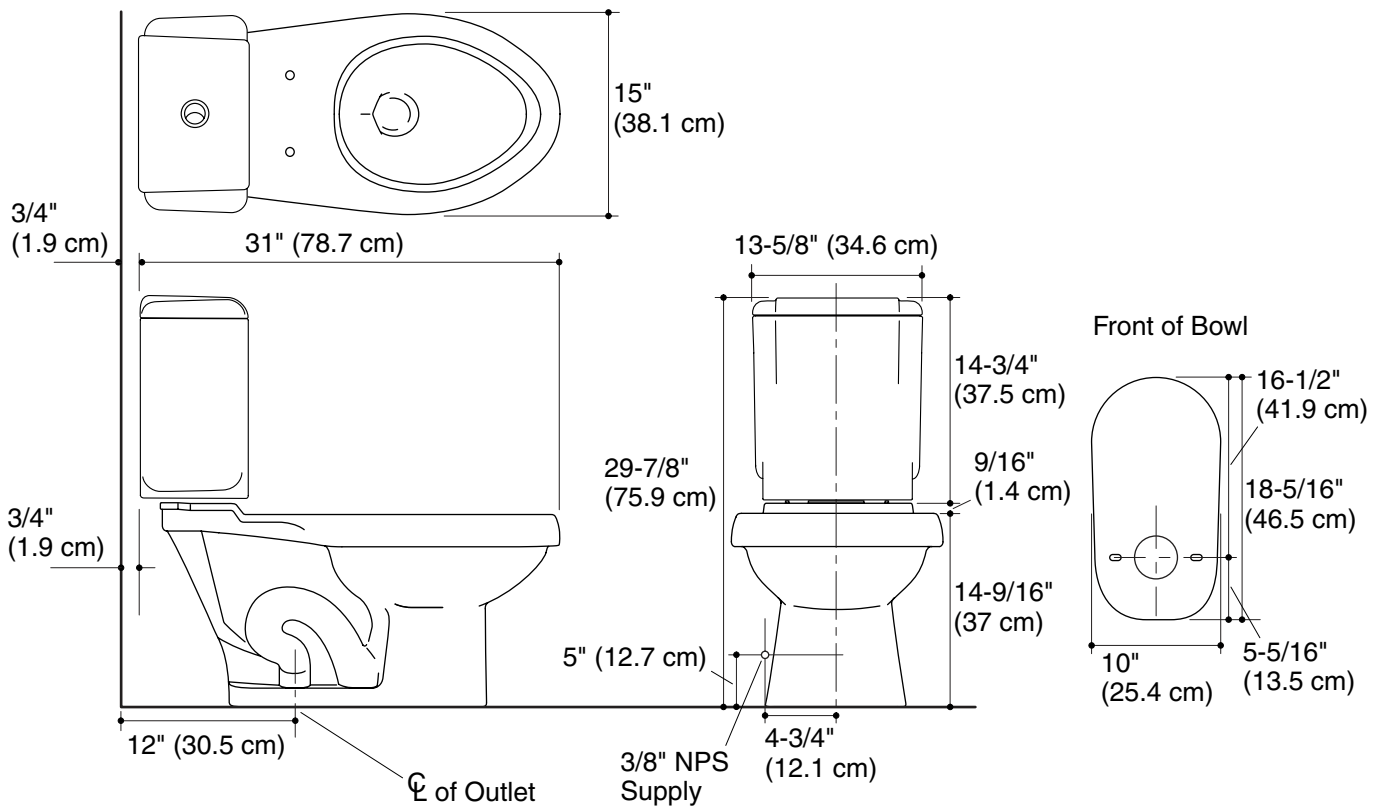
SterlingPlumbing.com

Visit us online for fixture color choices, detailed product information, color photos, installation instructions, care guides, and warranties. Sterling offers additional lines of plumbing products to complement the Sterling product you've chosen. Sign up for the Sterling monthly e-newsletter which showcases our latest product innovations. You may also call our Sterling Plumbing Answer Center from within the USA at 1-888-STERLING in addition to consulting with your local dealer. Sterling. Strong. Professional. Design.

ROCKTON™

Technical Information

Fixture:	
Configuration	2-piece
Water per full flush	1.6 gallons (6 L)
Water per half flush	.8 gallons (3 L)
Passageway	2" (5.1 cm)
Water area	4-1/2" (11.4 cm) x 5-3/4" (14.6 cm)
Seat post hole centers	5-1/2" (14 cm)
Included Components:	
Tank accessory pack	1035430
Tank lid	1045794



Product Diagram