



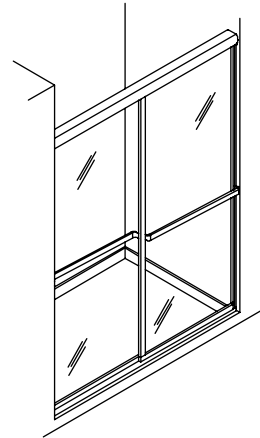
A KOHLER COMPANY

FINESSE™

## Features

- Heavy-duty, anodized aluminum-framed sliding glass doors
- Out-of-plumb adjustability allows for easy installation
- Top track roller system and continuous contact bottom track combine for a smooth, silent operation
- Ball-bearing rollers with brass inserts provide effortless panel glide
- Aluminum components extruded from alloy 6063-T5
- Two designer towel bars, located both inside and outside, enhance appearance and usability
- Reversible top track can be installed with either the round or flat side facing out
- Stainless steel hardware prevents rusting or corrosion
- 5/32" (4 mm) thick tempered glass ensures maximum safety and durability

## BY-PASS SHOWER DOORS 5105 ALSO 5106, 5108, 5126



## Codes/Standards Applicable

Specified model meets or exceeds the following:

- ANSI Z97.1 (tempered glass)

## Colors/Finishes

- S: Silver
- N: Nickel
- DR: Deep Bronze
- PB: Polished Brass
- Other: Refer to Price Book for additional colors/finishes

## Specified Model

Model	Application	Glass Texture	Pattern	* Frame Colors/Finishes				
5105-59*-G57	Bath	Solstice™	None	<input type="checkbox"/> S		<input type="checkbox"/> N	<input type="checkbox"/> DR	
5106-59*	Bath	Rain	None	<input type="checkbox"/> S	<input type="checkbox"/> PB	<input type="checkbox"/> N	<input type="checkbox"/> DR	<input type="checkbox"/> Other
5108-59*	Bath	Fluted	None	<input type="checkbox"/> S	<input type="checkbox"/> PB	<input type="checkbox"/> N	<input type="checkbox"/> DR	
5126-57*	Bath	Rain	None	<input type="checkbox"/> S		<input type="checkbox"/> N		
5126-59*	Bath	Rain	None	<input type="checkbox"/> S		<input type="checkbox"/> N	<input type="checkbox"/> DR	<input type="checkbox"/> Other

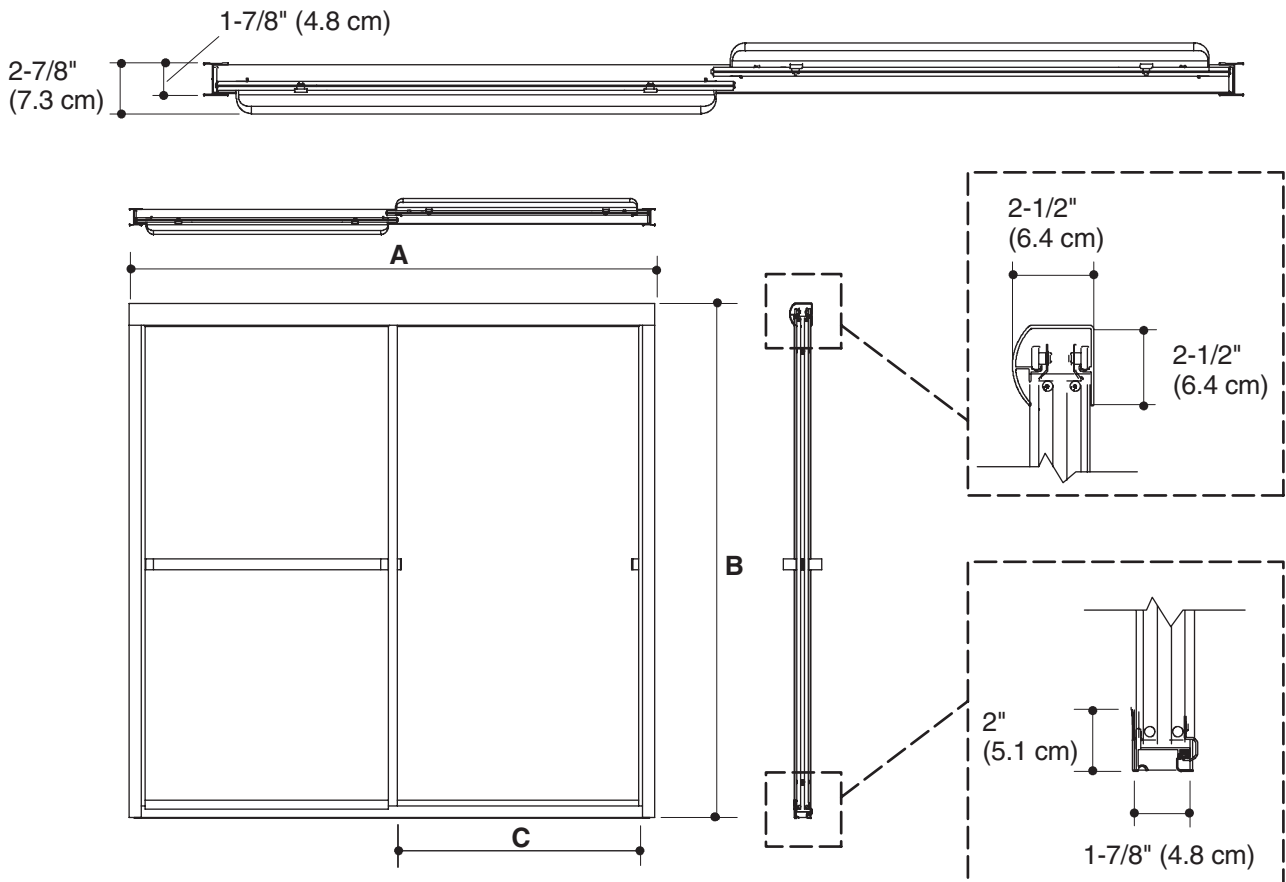
\* Note: Add appropriate frame color/finish code to the end of the unit model # when ordering.

## SterlingPlumbing.com

Visit us online for fixture color choices, detailed product information, color photos, installation instructions, care guides, and warranties. Sterling offers additional lines of plumbing products to complement the Sterling product you've chosen. Sign up for the Sterling monthly e-newsletter which showcases our latest product innovations. You may also call our Sterling Plumbing Answer Center from within the USA at 1-888-STERLING in addition to consulting with your local dealer. Sterling. Strong. Professional. Design.

# FINESSE™

Model	A (Max. Width)	B (Height)	C (Walk Through Max.)
5105-59*	59-5/8" (151.4 cm)	58-5/16" (148.1 cm)	27-7/8" (70.8 cm)
5106-59*	59-5/8" (151.4 cm)	58-5/16" (148.1 cm)	27-7/8" (70.8 cm)
5108-59*	59-5/8" (151.4 cm)	58-5/16" (148.1 cm)	27-7/8" (70.8 cm)
5126-57*	57" (144.8 cm)	55-3/4" (141.6 cm)	26-5/8" (67.6 cm)
5126-59*	59-5/8" (151.4 cm)	55-3/4" (141.6 cm)	27-7/8" (70.8 cm)



## Product Diagram