



A KOHLER COMPANY

WORTHINGTON™

WALL-MOUNT LAVATORY 442031

ALSO 442034, 442038

ADA

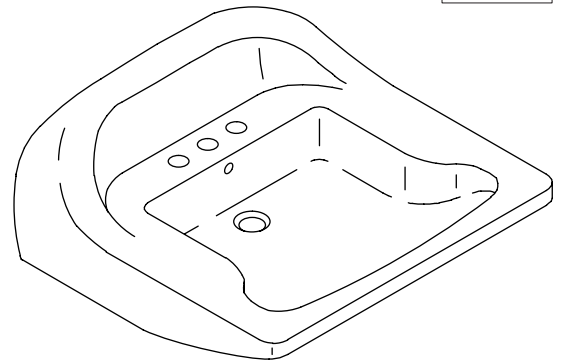
Features

- Vitreous china
- ADA compliant
- Drilled for concealed arm carrier
- Wall-mount
- Heavy-gauge steel hangers
- Distinctive flexible design
- Limited 5 year warranty
- 20-15/16" (53.2 cm) x 21-3/4" (55.2 cm) x 12-3/8" (31.4 cm)

Codes/Standards Applicable

Specified model meets or exceeds the following:

- ASME A112.19.2
- IAPMO/UPC
- ICC/ANSI A117.1
- ADA



Colors/Finishes

- 0: White
- Other: Refer to Price Book for additional colors/finishes

Specified Model

Model	Description	Colors/Finishes	
442031	Single-hole lavatory	<input type="checkbox"/> 0	<input type="checkbox"/> Other _____
442034	4" (10.2 cm) center (faucet)	<input type="checkbox"/> 0	<input type="checkbox"/> Other _____
442038	8" (20.3 cm) center (faucet)	<input type="checkbox"/> 0	<input type="checkbox"/> Other _____

SterlingPlumbing.com

Visit us online for fixture color choices, detailed product information, color photos, installation instructions, care guides, and warranties. Sterling offers additional lines of plumbing products to complement the Sterling product you've chosen. Sign up for the Sterling monthly e-newsletter which showcases our latest product innovations. You may also call our Sterling Plumbing Answer Center from within the USA at 1-888-STERLING in addition to consulting with your local dealer. Sterling. Strong. Professional. Design.

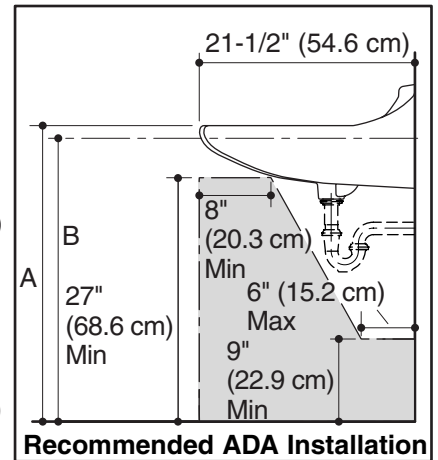
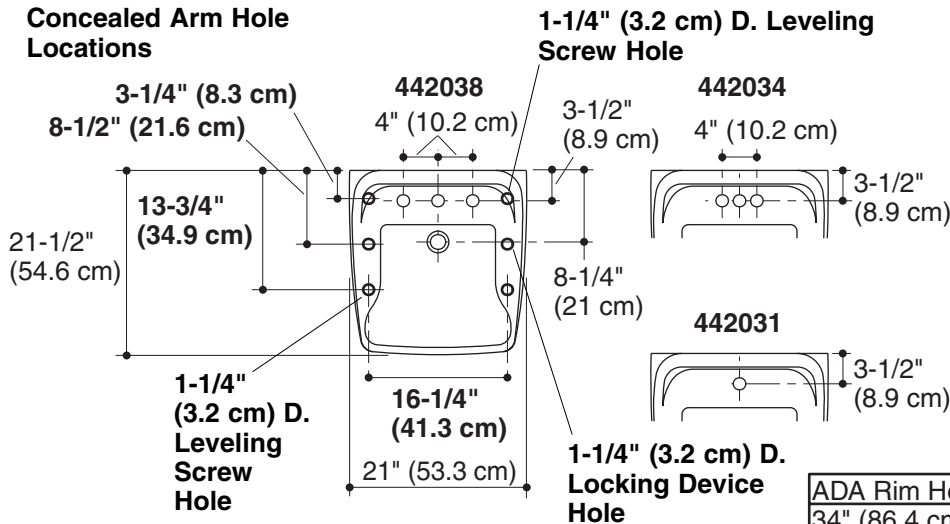
WORTHINGTON™

Technical Information

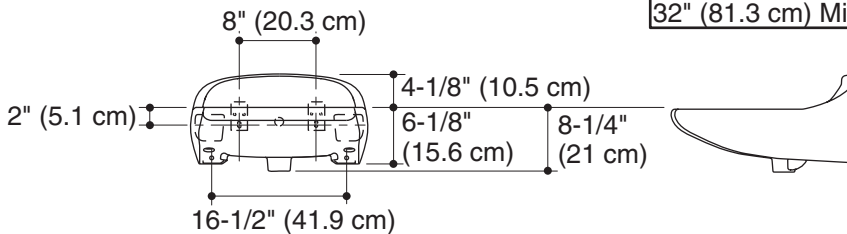
ADA compliant		
Fixture*:	basin area	water depth
Lavatory	13" (33 cm) x 14-1/4" (36.2 cm)	3" (7.6 cm)
* Approximate measurements for comparison only.		

Holes	442031	442034	442038
Spout	1-3/16" (3 cm) D.	1-3/16" (3 cm) D.	1-3/16" (3 cm) D.
Faucet		1-3/16" (3 cm) D.	1-3/8" (3.5 cm) D.
Drain	1-3/4" (4.4 cm) D.	1-3/4" (4.4 cm) D.	1-3/4" (4.4 cm) D.
Drain hole	1-1/4" (3.2 cm) D.	1-1/4" (3.2 cm) D.	1-1/4" (3.2 cm) D.

Concealed Arm Hole Locations



ADA Rim Height=A	ADA Arm Carrier Height=B
34" (86.4 cm) Max	32" (81.3 cm) Max
32" (81.3 cm) Min	30" (76.2 cm) Min



Standard Installation

Product Diagram