



A KOHLER COMPANY

RIVERTON™

Features

- 10" (25.4 cm) or 12" (30.5 cm) rough-in
- One flush performance limited guarantee
- 5 year limited warranty
- Seat post holes with 5-1/2" (14 cm) centers
- Three-bolt, quick-connect installation system
- 1.6 gpf (6 lpf)
- Standard round or elongated seat - not supplied
- ADA bowl also available - model 402532 only
- Large 8" (20.3 cm) x 9" (22.9 cm) water surface and full 2" (5.1 cm) trapway
- Insulated tank liner
- 27-1/4" (69.2 cm) x 18-1/8" (46 cm) x 29" (73.7 cm)
- 29-1/4" (74.3 cm) x 18-1/8" (46 cm) x 29" (73.7 cm)

Codes/Standards Applicable

Specified model meets or exceeds the following:

- ASME A112.19.2
- IAPMO/UPC
- CSA B45

Specified Model

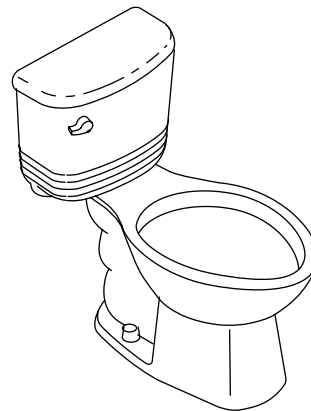
Model	Description	Included tank	Included bowl	Colors/Finishes	
402502, 402502-U	Round toilet combination	404522, 404522-U	404015	<input type="checkbox"/> 0	<input type="checkbox"/> Other_____
402512, 402512-U	10" (25.4 cm) toilet combination	404522, 404522-U	404210	<input type="checkbox"/> 0	<input type="checkbox"/> Other_____
402522, 402522-U	Elongated toilet combination	404522, 404522-U	404215	<input type="checkbox"/> 0	<input type="checkbox"/> Other_____
402532	ADA toilet combination	404522, 40452-2U	404315	<input type="checkbox"/> 0	<input type="checkbox"/> Other_____

Note: "U" represents models with tank liner

LOW CONSUMPTION TOILET

402502

ALSO 402512, 402522, 402532



Model 402522



Model 402522-U

Colors/Finishes

- 0: White
- Other: Refer to Price Book for additional colors/finishes

SterlingPlumbing.com

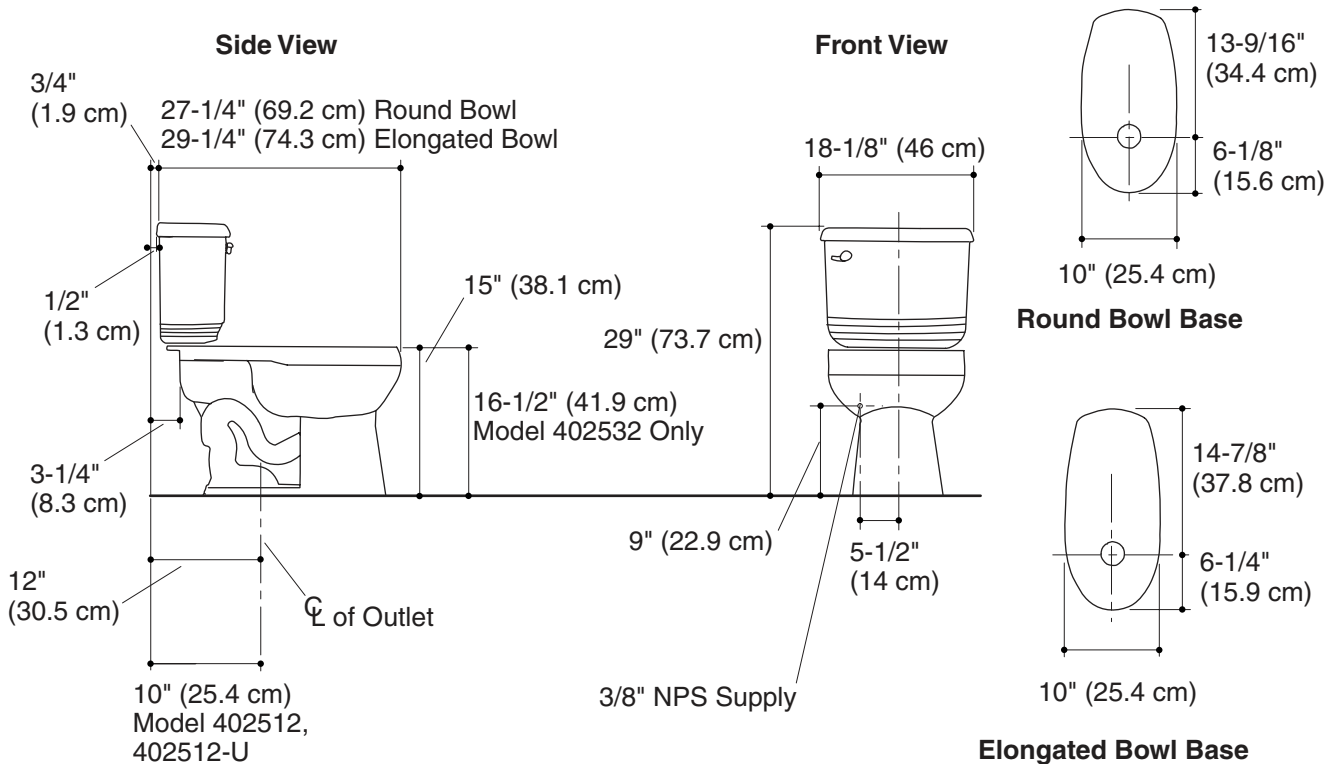
Visit us online for fixture color choices, detailed product information, color photos, installation instructions, care guides, and warranties. Sterling offers additional lines of plumbing products to complement the Sterling product you've chosen. Sign up for the Sterling monthly e-newsletter which showcases our latest product innovations. You may also call our Sterling Plumbing Answer Center from within the USA at 1-888-STERLING in addition to consulting with your local dealer. Sterling. Strong. Professional. Design.

RIVERTON™

Technical Information

Fixture:	
Configuration	2-piece
Water per full flush	1.6 gallons (6 L)
Passageway	2" (5.1 cm)
Water area	8" (20.3 cm) x 9" (22.9 cm)
Seat post hole centers	5-1/2" (14 cm)

Included Components:	
Tank accessory pack	84581
Tank lid	84624
Trip lever	84625
Bolt cap accessory pack	1013092



Product Diagram