



A KOHLER COMPANY

STAINLESS STEEL OVAL SINK

1181-0

ALSO 1186-0, 11811-0

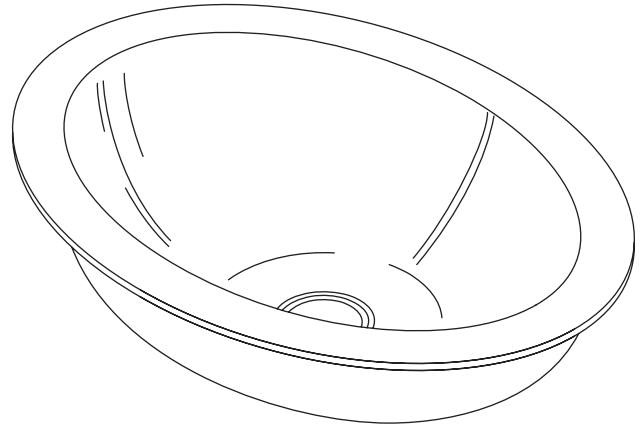
Features

- 22 gauge stainless steel
- Choice of bright polished mirror or buffed finish
- Stud mounting (self-rimming only)
- Mounting hardware for undercounter installation
- Oval sink design
- Oval flat rim
- Self-rimming or undercounter
- 13-1/4" (33.7 cm) x 10-1/2" (26.7 cm) x 5" (12.7 cm)

Codes/Standards Applicable

Specified model meets or exceeds the following:

- ASME A112.19.3
- IAPMO/UPC



Colors/Finishes

- NA: None applicable

Specified Model

Model	Description	Holes	Quantity	Basin Depth	Colors/Finishes
1181-0	Bright polished mirror deck finish	0	6	5" (12.7 cm)	<input type="checkbox"/> NA
1186-0	Satin deck finish	0	6	5" (12.7 cm)	<input type="checkbox"/> NA
11811-0	Bright polished mirror deck finish	0	1	5" (12.7 cm)	<input type="checkbox"/> NA

SterlingPlumbing.com

Visit us online for fixture color choices, detailed product information, color photos, installation instructions, care guides, and warranties. Sterling offers additional lines of plumbing products to complement the Sterling product you've chosen. Sign up for the Sterling monthly e-newsletter which showcases our latest product innovations. You may also call our Sterling Plumbing Answer Center from within the USA at 1-888-STERLING in addition to consulting with your local dealer. Sterling. Strong. Professional. Design.

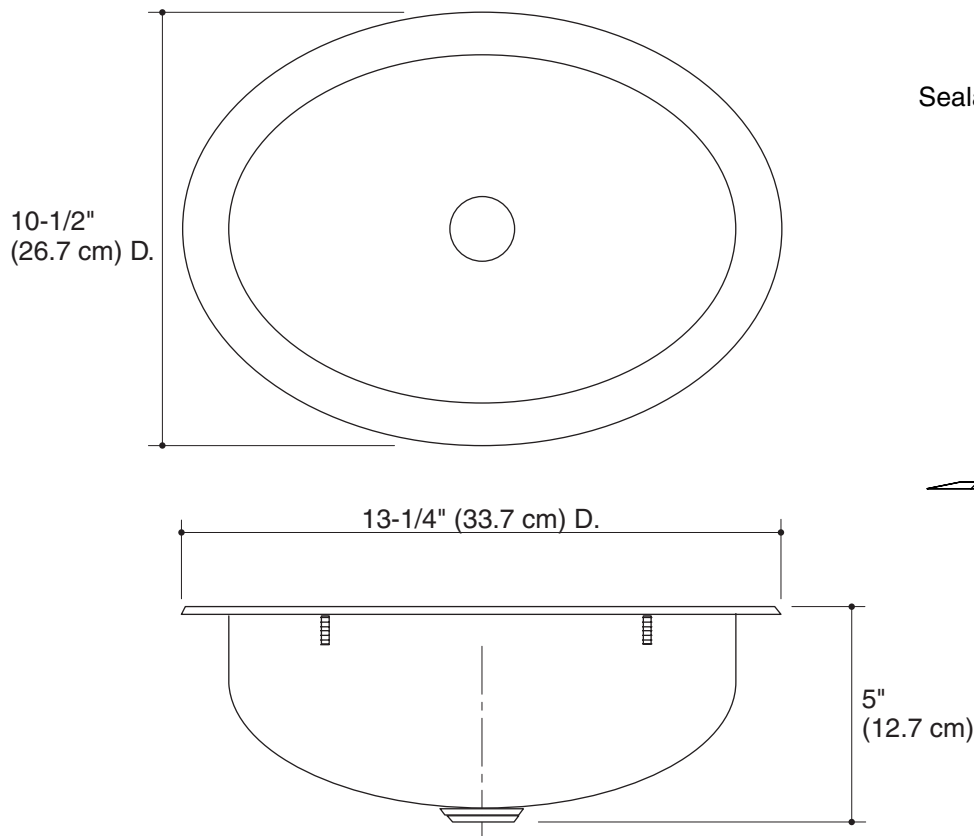
Technical Information

Fixture*:	
Template	1033117-7
Drain hole	1-1/2" (3.8 cm) D.
* Approximate measurements for comparison only.	

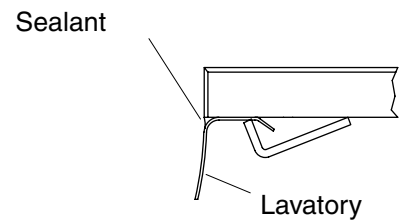
Included components:	
Mounting hardware (for undercounter installation)	1069536

Installation Notes

Install this product according to the installation guide.



Product Diagram



Undercounter Installation

