



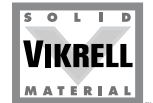
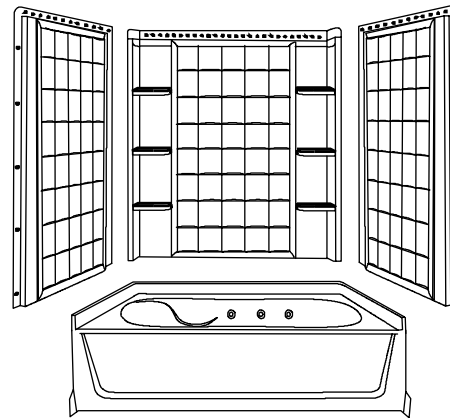
A KOHLER COMPANY

ENSEMBLE™

Features

- Compression molded from Sterling's exclusive solid Vikrell® material
- Tongue-and-groove "snap together" design
- Integral apron with removable access panel
- Durable high gloss finish
- 1.25 hp pump with air switch and grounding-type plug-in cord
- 6 Jets
- 10 year consumer/3 year commercial limited warranty, pump motor assembly has 1 year limited warranty
- Three-piece wall set with generous storage shelves
- Lightly pebbled bottom surface for sure footing
- 60" (152.4 cm) x 43-1/2" (110.5 cm) x 73-1/4" (186.1 cm) complete unit rough-in dimensions include flange
- 60" (152.4 cm) x 42" (106.7 cm) x 72" (182.9 cm) complete unit finished dimensions

42" (106.7 cm) BATH/SHOWER WHIRLPOOL
76110110
 ALSO 76110120



Codes/Standards Applicable

Specified model meets or exceeds the following:

- ASME A112.19.7M
- IAPMO/UPC
- ASTM E162
- ASTM E662
- ANSI Z124.1.2
- Underwriters Laboratories (UL)
- NAHB Research Foundation, Inc.
- HUD, UM Bulletin 73A

Colors/Finishes

- 0: White
- Other: Refer to Price Book for additional colors/finishes

Specified Model

Model	Complete Unit Description	Colors/Finishes	
76110110	42" (106.7 cm) bath/shower whirlpool and wall surround, left drain	<input type="checkbox"/> 0	<input type="checkbox"/> Other_____
76110120	42" (106.7 cm) bath/shower whirlpool and wall surround, right drain	<input type="checkbox"/> 0	<input type="checkbox"/> Other_____

Model	Wall Component Description	Colors/Finishes	
71112100	Back wall	<input type="checkbox"/> 0	<input type="checkbox"/> Other_____
71113110	Left end wall	<input type="checkbox"/> 0	<input type="checkbox"/> Other_____
71113120	Right end wall	<input type="checkbox"/> 0	<input type="checkbox"/> Other_____
71114100	Complete wall set	<input type="checkbox"/> 0	<input type="checkbox"/> Other_____
71115100	End wall set	<input type="checkbox"/> 0	<input type="checkbox"/> Other_____

SterlingPlumbing.com

Visit us online for fixture color choices, detailed product information, color photos, installation instructions, care guides, and warranties. Sterling offers additional lines of plumbing products to complement the Sterling product you've chosen. Sign up for the Sterling monthly e-newsletter which showcases our latest product innovations. You may also call our Sterling Plumbing Answer Center from within the USA at 1-888-STERLING in addition to consulting with your local dealer. Sterling. Strong. Professional. Design.

ENSEMBLE™

Technical Information

Fixture*:	basin area	top area
Bathing well	40" (101.6 cm) x 27" (68.6 cm)	52" (132.1 cm) x 35" (88.9 cm)
To overflow	water depth	capacity
	11" (27.9 cm)	55 gal (208.2 L)

* Approximate measurements for comparison only.

Pump:	Hp	V	Hz	A
1-speed	1.25	120	60	7

Model	Door maximum width	Door maximum height
76110110 76110120	58" (147.3 cm)	56" (142.2 cm)

Required Electrical Service

Dedicated circuit required, protected with Class A Ground-Fault Circuit-Interrupter (GFCI):	
Pump	120 V, 15 A, 60 Hz

Installation Notes

Install this product according to the installation guide.

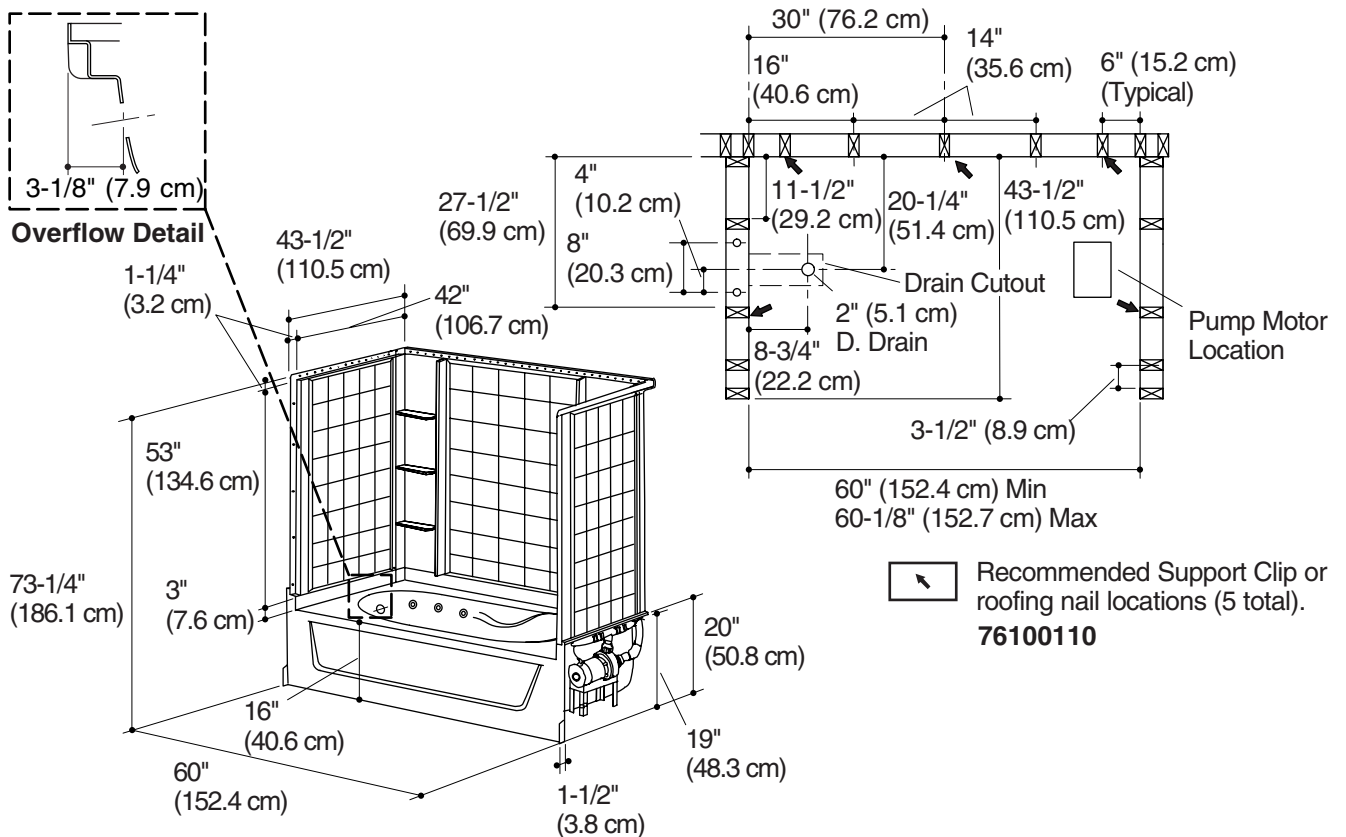
Pump is supplied with a grounding type plug-in cord. Locate the outlet behind the whirlpool, and within 24" (61 cm) of the pump.

Do not disassemble the pump or piping as this could void the warranty.

Size the drain cutout to fit the drain assembly that will be used.

Stud positioning is critical.

Studs should be positioned roughly as shown for support clip or roofing nail installation.



Product Diagram