

# STERLING®

A KOHLER COMPANY

FINESSE™ QUICK-INSTALL™

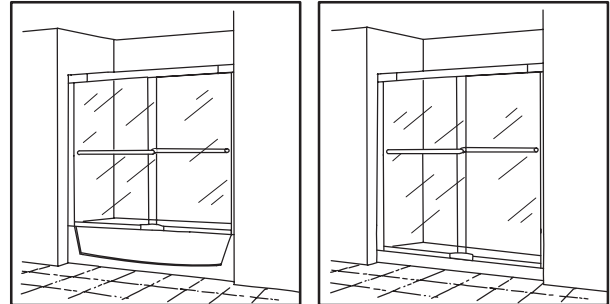
## Features

- CleanCoat™ glass coating
- Heavy-duty, anodized aluminum-framed sliding glass doors
- Quick Install™ compression fit technology eliminates track cutting and tile drilling
- Radiused side jambs for curved bathing fixture corners (reverses for 90° tile corners)
- Pre-installed roller mechanisms for easier installation
- 1-1/2" (3.8 cm) width adjustability for out-of-plumb conditions
- Stainless steel hardware prevents rusting or corrosion
- Frameless sliding glass door panels reduce overlap
- Most installations take 15 minutes or less
- 1/4" (6 mm) thick tempered glass
- No tools needed except for hex wrench (included)
- Rollers with brass inserts for smooth, silent operation

## FRAMELESS BY-PASS BATH/SHOWER DOORS

# 5305EZ

ALSO 5325EZ, 5365EZ, 5375EZ



## Codes/Standards Applicable

Specified model meets or exceeds the following:

- ANSI Z97.1 (tempered glass)
- CFR 1201

## Colors/Finishes

- S: Silver
- PB: Vibrant® Polished Brass
- N: Nickel

## Specified Model

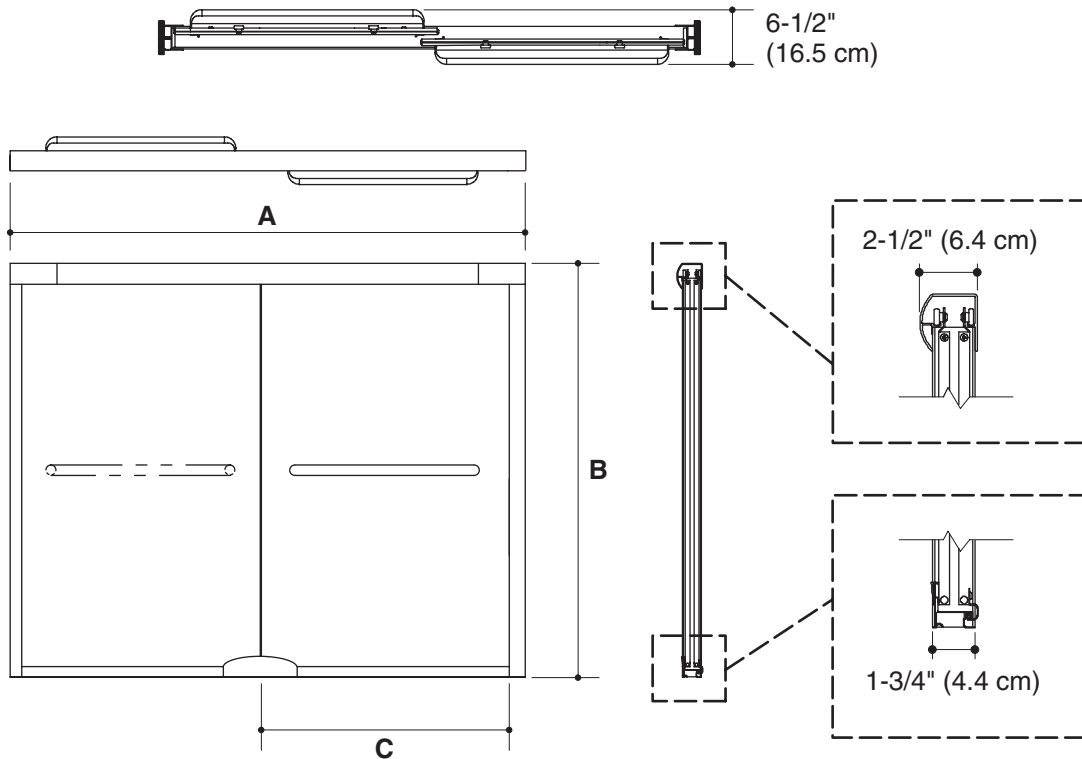
Model	Application	Glass Texture	Pattern	* Frame Colors/Finishes		
5305EZ-59*	Bath	Smooth	None	<input type="checkbox"/> S	<input type="checkbox"/> PB	<input type="checkbox"/> N
5305EZ-59*-G57	Bath	Solstice™	None	<input type="checkbox"/> S		<input type="checkbox"/> N
5305EZ-59*-G69	Bath	Smooth	Lake Mist	<input type="checkbox"/> S		<input type="checkbox"/> N
5325EZ-57*	Bath	Smooth	None	<input type="checkbox"/> S		<input type="checkbox"/> N
5325EZ-59*	Bath	Smooth	None	<input type="checkbox"/> S		
5365EZ-45*	Shower	Smooth	None	<input type="checkbox"/> S		
5375EZ-47*	Shower	Smooth	None	<input type="checkbox"/> S		<input type="checkbox"/> N
5375EZ-47*-G57	Shower	Solstice™	None	<input type="checkbox"/> S	<input type="checkbox"/> PB	<input type="checkbox"/> N
5375EZ-47*-G69	Shower	Smooth	Lake Mist	<input type="checkbox"/> S		<input type="checkbox"/> N
5375EZ-57*	Shower	Smooth	None	<input type="checkbox"/> S		

\* Note: Add appropriate frame color/finish code to the end of the unit model # when ordering

# FINESSE™ QUICK-INSTALL™

## Technical Information

Model	A (Max. Width) (Min. less 1-1/2"/3.8 cm)	B (Height)	C (Walk Through Max.)
5305EZ-59*	59-1/4" (150.5 cm)	58-3/4" (149.2 cm)	26" (66 cm)
5325EZ-57*	57-1/2" (146.1 cm)	55-3/4" (141.6 cm)	25" (63.5 cm)
5325EZ-59*	59-1/4" (150.5 cm)	55-3/4" (141.6 cm)	26" (66 cm)
5365EZ-45*	45-1/2" (115.6 cm)	65-1/2" (166.4 cm)	19-1/2" (49.5 cm)
5375EZ-47*	47-1/4" (120 cm)	70-5/16" (178.6 cm)	20" (50.8 cm)
5375EZ-57*	57-1/2" (146.1 cm)	70-5/16" (178.6 cm)	25" (63.5 cm)



**Product Diagram**