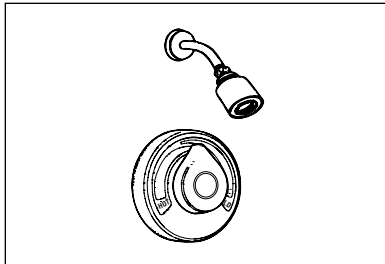
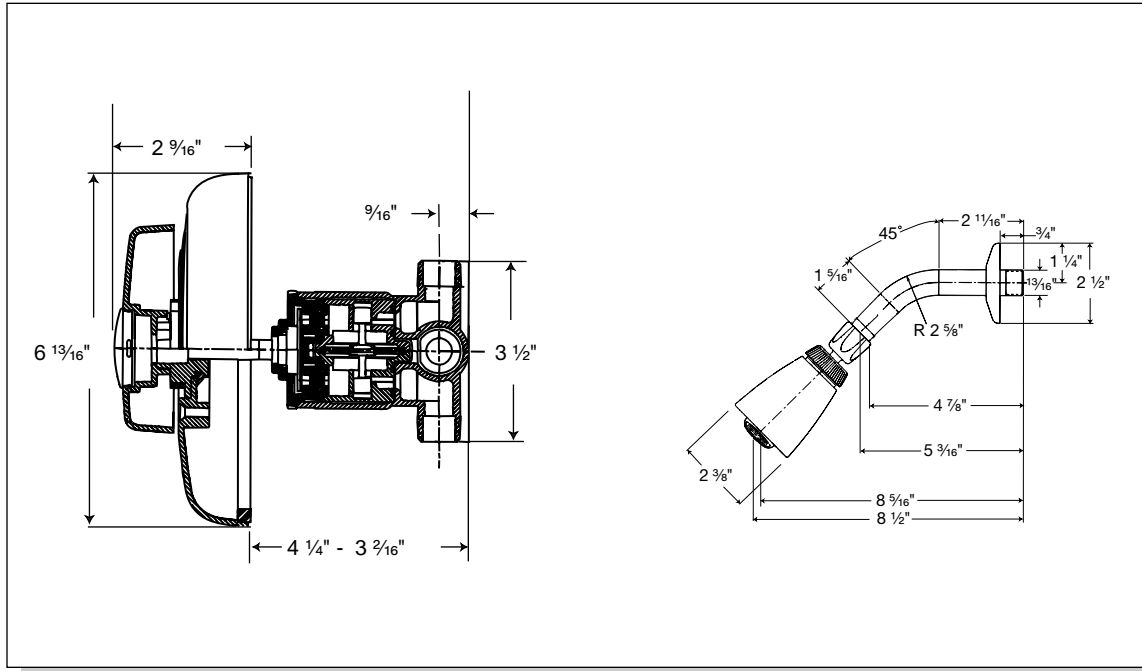




STRONG. PROFESSIONAL. DESIGN.[™]
S P E C I F I C A T I O N S

Bath Basics[™]
Anti-Scald Mixing Valve
Single Control Shower Faucets
Models 2621, 2621G, 20236, 20256



PRODUCT OVERVIEW

Pressure Balance Shower
Teardrop handle

2621 — Chrome plated, pressure balance valve, shower, teardrop handle, single pak

2621G — Polished brass, pressure balance valve, shower, teardrop handle, single pak

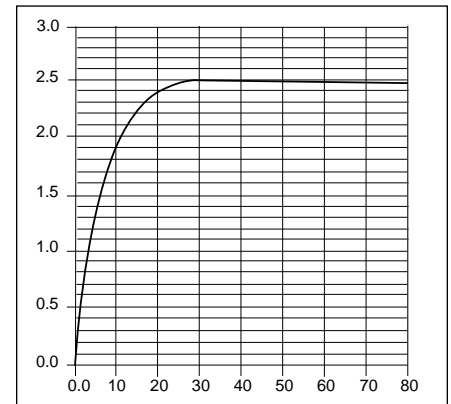
20236 — Chrome plated, shower trim, teardrop handle, trak pak

20256 — Chrome plated, pressure balance valve, rough-in shower, trak pak

FEATURES

- **Input**
Min.-Max. (recommended) / 20-80 psi
Max. Allowable / 125 psi
Max. temp./degrees change with 50% pressure hot or cold / +/-3°F
- **Flow Rate**
Shower / 2.5 gpm at 80 psii
- **Connectors**
Supply - 1/2" IPS/copper combination
Output (shower & tub spout) - 1/2" IPS/copper combination
- **Valve Type**
Pressure balance mixing valve
- **Directional Flow Control**
Hot-cold flow reversal by mixing valve adjustment allows "back to back" installation
- **Standards and Ratings**
Meets or exceeds the requirements of the following standards: ASME A112.18.1M
- **Warranty**
Limited 5-Year

SHOWER FLOWRATE (GPM)



★ Made in U.S.A.