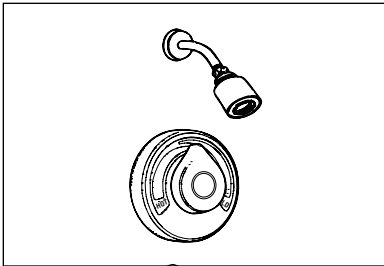
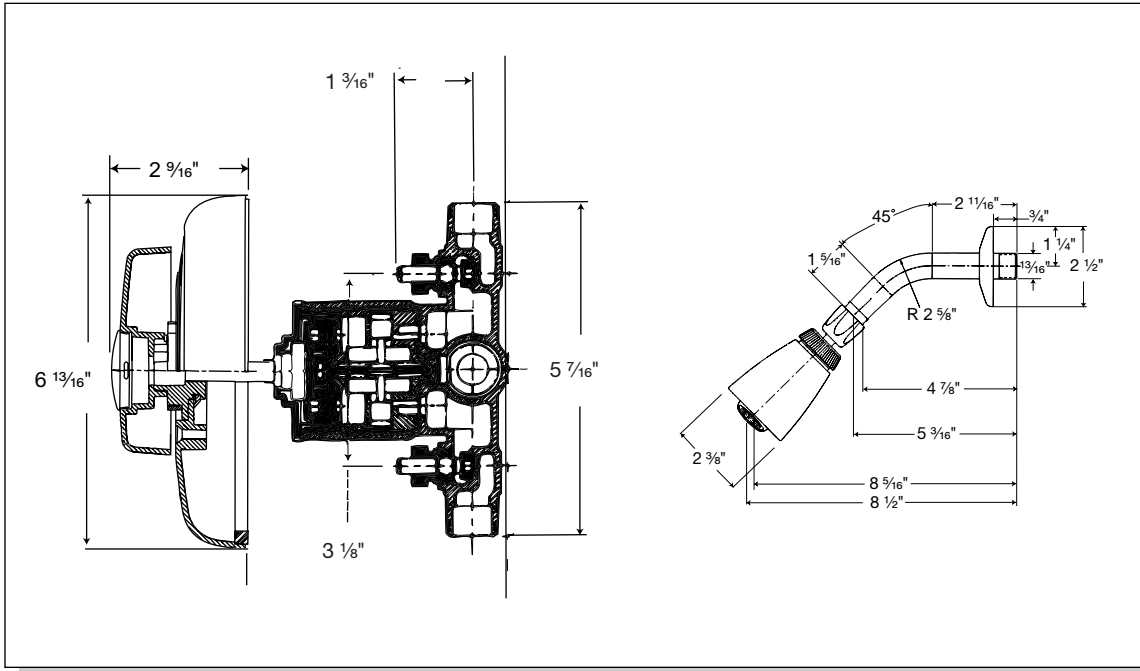




STRONG. PROFESSIONAL. DESIGN.™  
SPECIFICATIONS

**Bath Classics™**  
**Anti-Scald Mixing Valve**  
**Single Control Shower Faucets**  
Models 2661, 20236, 20266



**PRODUCT OVERVIEW**

Pressure Balance Shower  
Teardrop handle

**2661** — Chrome plated, pressure balance valve, shower, teardrop handle, with stops, single pak

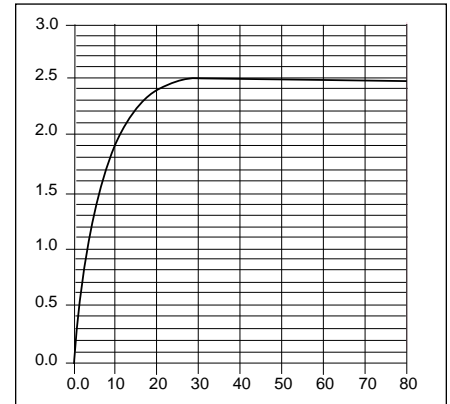
**20236** — Chrome plated, shower trim, teardrop handle, trak pak

**20266** — Chrome plated, pressure balance valve, rough-in shower, with stops, trak pak

**FEATURES**

- **Input**  
Min.-Max. (recommended) / 20-80 psi  
Max. Allowable / 125 psi  
Max. temp./degrees change with 50% pressure hot or cold / +/-3°F
- **Flow Rate**  
Shower / 2.5 gpm at 80 psi
- **Connectors**  
Supply - 1/2" IPS/copper combination  
Output (shower & tub spout) - 1/2" IPS/copper combination
- **Valve Type**  
Pressure balance mixing valve
- **Directional Flow Control**  
Hot-cold flow reversal by mixing valve adjustment allows "back to back" installation
- **Standards and Ratings**  
Meets or exceeds the requirements of the following standards: ASME A112.18.1M
- **Stops**  
Integral with valve
- **Warranty**  
Limited 5-Year

SHOWER FLOWRATE (GPM)



★ Made in U.S.A.