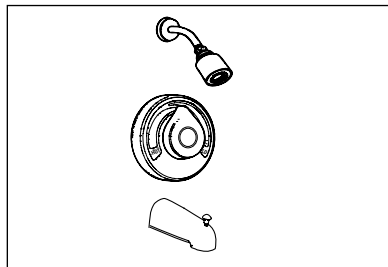
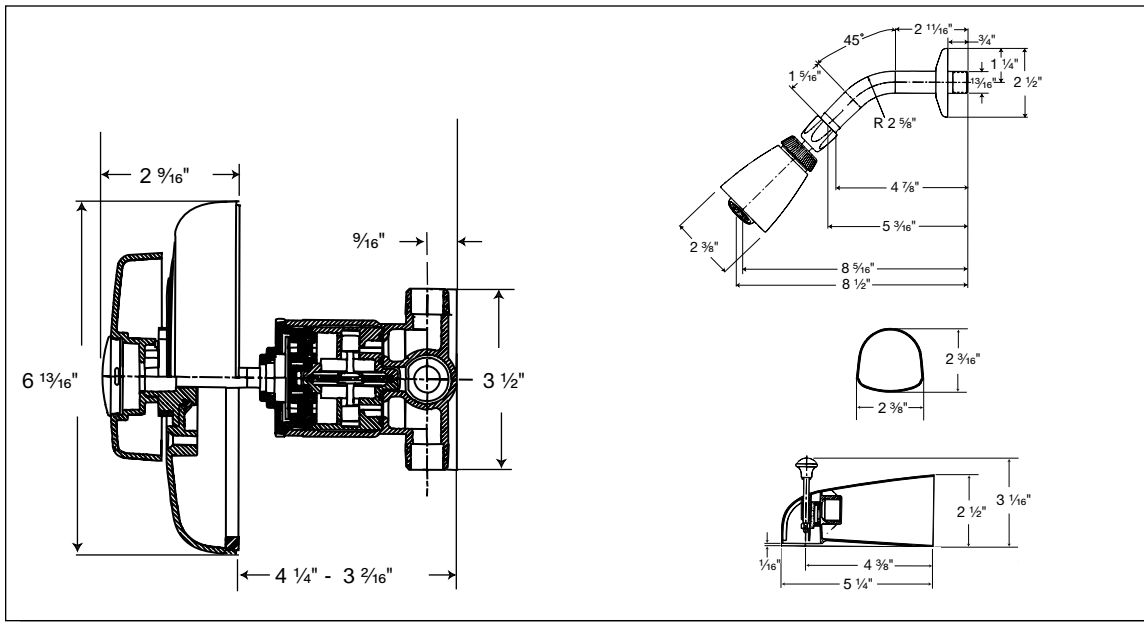




STRONG. PROFESSIONAL. DESIGN.™  
SPECIFICATIONS

**Bath Basics™**  
**Anti-Scald Mixing Valve**  
**Single Control Tub/Shower Faucets**  
Models 2017, 2521, 2521G, 20206



**PRODUCT OVERVIEW**

Pressure Balance Tub/Shower  
Teardrop handle

**2017** — Chrome plated, pressure balance valve, rough-in tub/ shower, trak pak

**2521** — Chrome plated, pressure balance valve, tub/shower, teardrop handle, plastic IPS tub spout, single pak

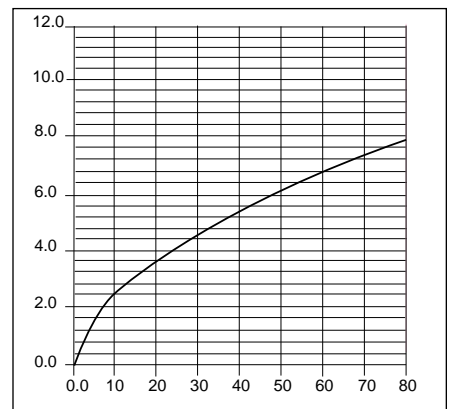
**2521G** — Polished brass, pressure balance valve, tub/shower, teardrop handle, plastic IPS tub spout, single pak

**20206** — Chrome plated, tub/shower trim, teardrop handle, plastic IPS tub spout, trak pak

**FEATURES**

- **Input**  
Min.-Max. (recommended) / 20-80 psi  
Max. Allowable / 125 psi  
Max. temp./degrees change with 50% pressure hot or cold / +/-3°F
- **Flow Rate**  
Shower / 2.5 gpm at 80 psi  
Tub Filler / 6.5 gpm at 60 psi
- **Connectors**  
Supply - 1/2" IPS/copper combination  
Output (shower & tub spout) - 1/2" IPS/copper combination
- **Valve Type**  
Pressure balance mixing valve
- **Directional Flow Control**  
Hot-cold flow reversal by mixing valve adjustment allows "back to back" installation
- **Standards and Ratings**  
Meets or exceeds the requirements of the following standards: ASME A112.18.1M
- **Tub Spout**  
Plastic IPS
- **Warranty**  
Limited 5-Year

**TUB FILLER FLOWRATE (GPM)**



**SHOWER FLOWRATE (GPM)**

